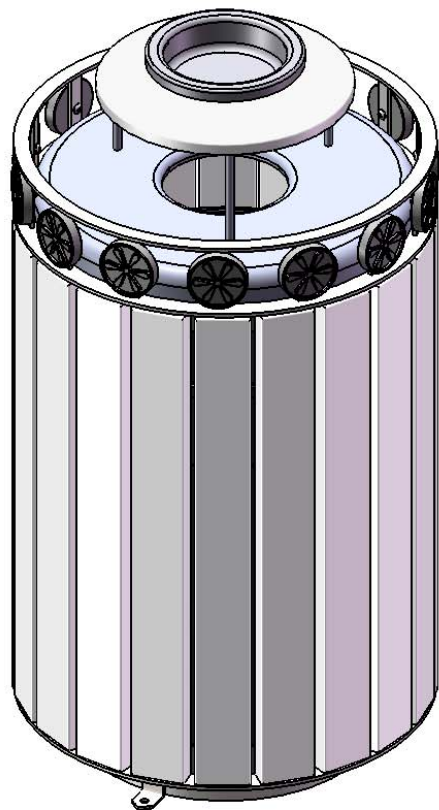


# Site Amenities

BY SUPERIOR RECREATIONAL PRODUCTS



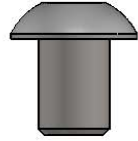
Model #  
TR32CC-FLATTOPAB

 **SUPERIOR**<sup>®</sup>  
RECREATIONAL PRODUCTS  
A **PLAYCORE** Company

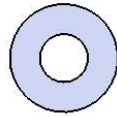
# HARDWARE



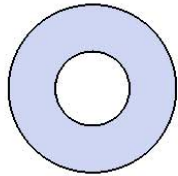
5/16" x 1-1/4"  
Lag Bolt



1/4" x 1/2"  
Button Bolt

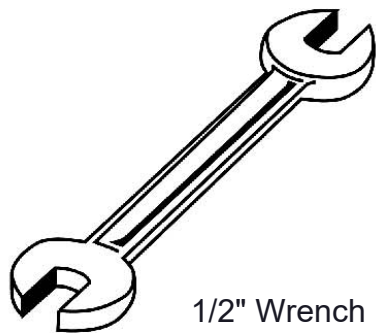


1/4" Washer



5/16" Washer

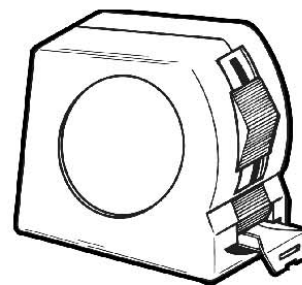
## TOOLS REQUIRED



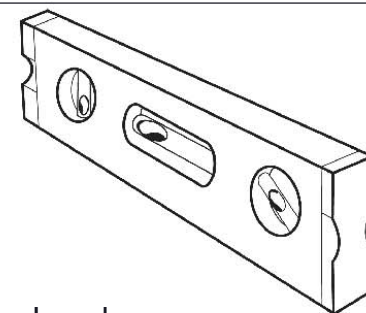
1/2" Wrench



1/2" Socket Wrench



Tape Measure



Level



5/32" Allen Wrench

# PRODUCT SPECIFICATIONS

## **TR32CC-FLATTOPAB CASCADES 32 GALLON TRASH RECEPTACLE**

Slats: Minimum of 96% commingled post-consumer or post-industrial recycled plastic 2x4. With a maximum of 4% due to various additives including color and UV stabilization to obtain desirable properties.

Frame: Rings are 3/16" x 2" flat. Top and bottom plate is laser cut from 1/4" steel. All electrically MIG welded. Rosettes are cast aluminum.

Receptacle Coating: TGIC electrostatic powder coated application oven cured.

Receptacle Dimensions: 26-1/2" diameter x 51" high x 32 gallon capacity.

Hardware: Mounting hardware not included. Included hardware to be stainless steel.

## **AU-32 32 GALLON ASH URN TOP**

Material: Top plate shall be fabricated from 18 gauge steel flat, spun to form. Vertical posts are 1/2" diameter steel rods. Bonnet top shall be fabricated from 20 gauge steel flat, spun to form. Ash urn shall be fabricated from 20 gauge steel flat, spun to form. All electrically MIG welded.

Frame Coating: Electrostatic powder coated application oven cured.

Receptacle Dimensions: Center opening shall be an 8" inside diameter. The overall dimensions shall be 23-1/2" diameter x 11-1/4" high.

## **PL-32**

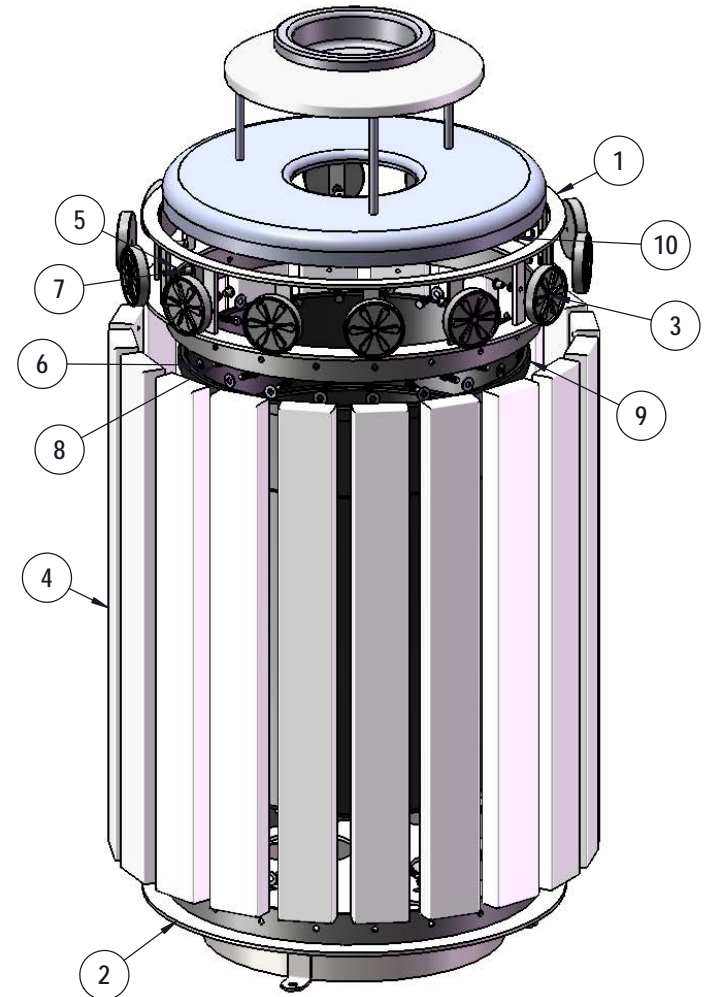
Trash Liner made from heavy duty plastic.

# COMPONENTS

The use of Loctite™ is required when attaching to Rosettes with Button Head Bolts.

Over tightening of Button Head Bolts and Lag Bolts will result in stripping.

Optional Surface Mount Hardware:  
3/8" x 3-1/2" Concrete Expansion Anchor Bolts  
(Not Included)



ITEM NO.	PartNo	DESCRIPTION	QTY
1	P-01-05-0117	Charleston Decorative Upper Assembly	1
2	P-01-05-0118	Charleston Decorative Lower Assembly	1
3	P-01-05-0108	Decorative Receptacle Rosette	14
4	BRN34-2x4-CH, CDR34-2x4-CH, GRN34-2x4-CH, or GRY34-2x4-CH	2 x 4 Brown Recycled TR Plank (34"), 2 x 4 Cedar Recycled TR Plank (34"), 2 x 4 Green Recycled TR Plank (34"), or 2 x 4 Gray Recycled TR Plank (34")	20
5	33-02-0016	1/4" Flat Washer (SS)	14
6	33-02-0007	5/16" SS Washer	40
7	33-06-0075	1/4"-20 x 1/2" Button Bolt (SS)	14
8	33-05-0034	5/16" x 1-1/4" lag bolt, SS	40
9	PL-32	32 Gal. Liner	1
10	(T/P) AUR-32-08	32 Gallon Rolled Ash Urn with a 8" opening	1

# OVERALL DIMENSIONS

