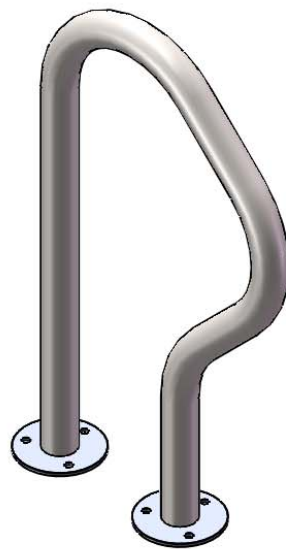


Site Amenities

BY SUPERIOR RECREATIONAL PRODUCTS



Model #
SLOPE-SM

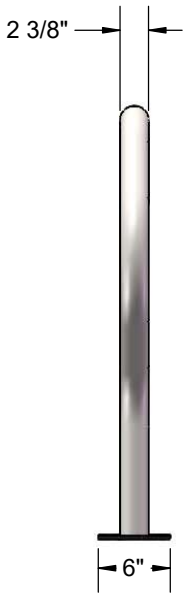
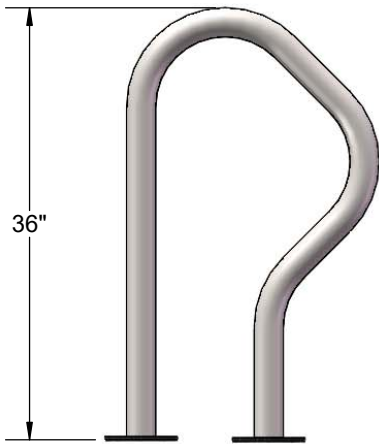
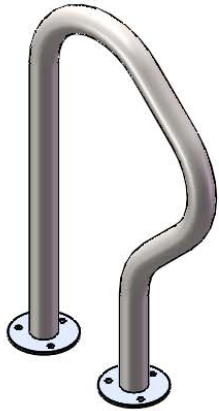
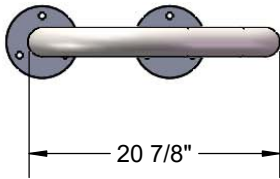
 **SUPERIOR**[®]
RECREATIONAL PRODUCTS
A **PLAYCORE** Company

PRODUCT SPECIFICATIONS

5060SM

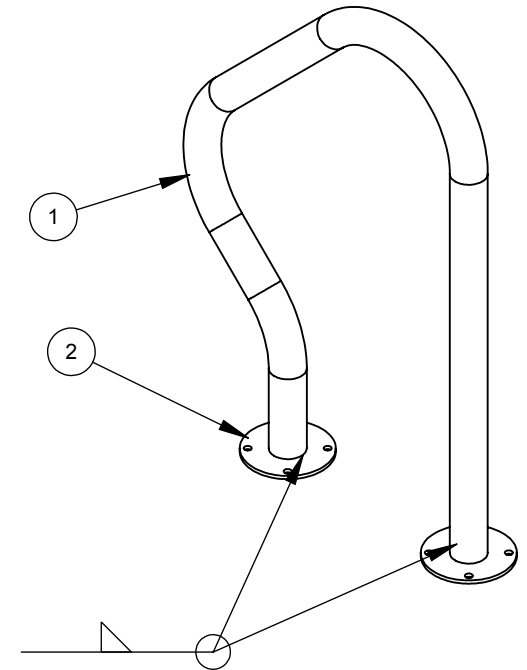
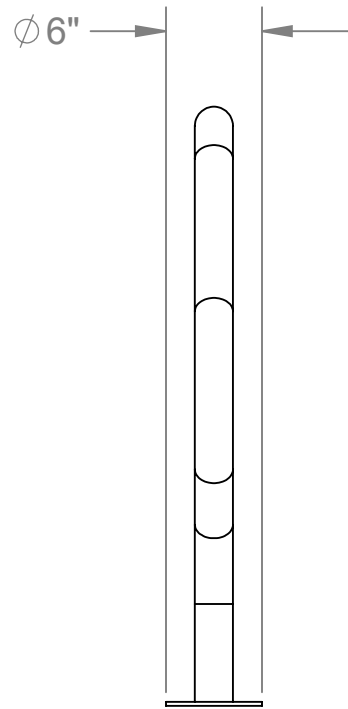
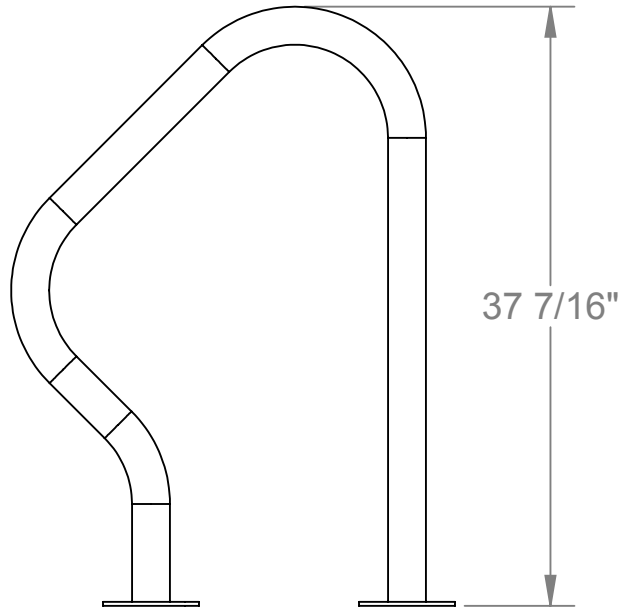
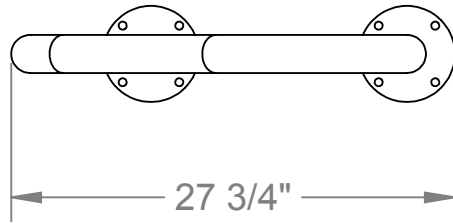
Overall dimensions shall be 36" high x 21" wide. Framework shall be fabricated from 2-3/8" O.D. pipe. 12 gauge steel pipe. Made to hold 2 bikes. Surface mount plates are 6" diameter x 1/4" thick steel plate. Electrically MIG welded.

OVERALL DIMENSIONS



Recommended Surface Mount Hardware:
3/8" x 3-1/2" Concrete Expansion Anchor Bolts
(Not Included)

ITEM	Part No.	QTY	DESCRIPTION
1	FAB-37382XX	1	Slope Bike Rack Frame Surface Mount
2	PLT-3556XX	2	.25" Plate Surface Mount 6" Round



Rev Date & Description:

Rev Date & Description:

Date: 01-03-2017

Drawn By: DToney

Superior Recreational Products

THIS DOCUMENT AND THE INFORMATION CONTAINED HEREIN IS THE EXCLUSIVE PROPERTY OF SUPERIOR RECREATIONAL PRODUCTS AND HAS BEEN PROVIDED TO YOU IN CONFIDENCE. THIS DOCUMENT AND THE INFORMATION HEREIN MAY NOT BE DISCLOSED OR PROVIDED TO ANY THIRD PARTY OR USED, COPIED, PHOTOGRAPHED OR OTHERWISE REPRODUCED WITHOUT PRIOR EXPRESS WRITTEN PERMISSION OF SUPERIOR RECREATIONAL PRODUCTS.

1050 Columbia Drive, Carrollton GA 30117
Toll Free: 800-327-8774 Local: 770-832-6660

Description: Slope Bike Rack Surface Mount

Material: COATED STEEL	Rev: 00	Drawing Number: Slope-SM
------------------------	---------	--------------------------

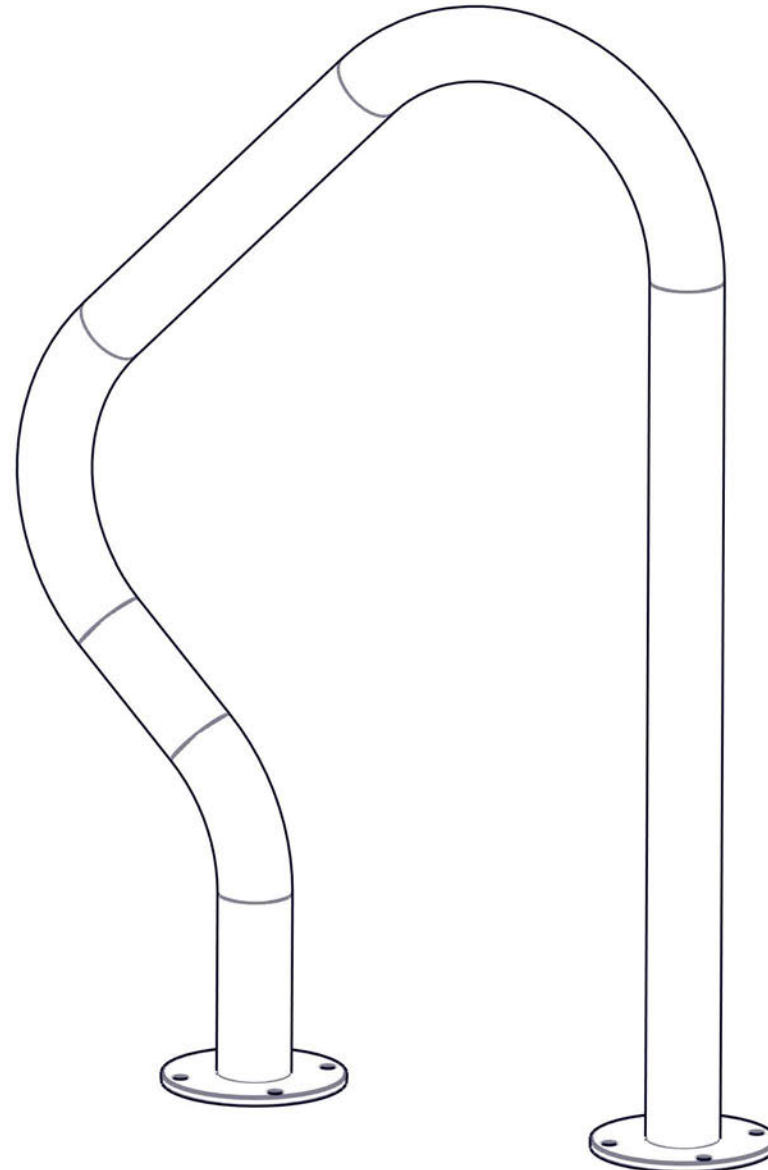
Weight: 26 lbs.	Size: A	Units: Inch	Tol: ±.0625 Unless Otherwise Specified	Scale: 1:12	Sheet: 1 of 1
-----------------	---------	-------------	--	-------------	---------------

USER GROUP: 5-12 Years, Adult
RECOMMENDED CREW: 1 Person
TOOLS REQUIRED:
• Anchor Bolts and Nuts (Not Included)
• Level, Square
• Drill Bits: Per anchors
INSTALLATION TIME: 1 Hour
WEIGHT: 25 lbs.
CONCRETE REQUIRED: None

PRE-INSTALLATION CHECK:
Customer is responsible for verifying materials received by comparing received items with packing list. If any parts are missing or damaged, contact your local sales representative immediately.

Supplier is not responsible for items discovered missing after 72 hours from time of delivery.

Before beginning installation, all installers must read and understand the Installation Introduction manual as supplied. If you did not receive a copy, or if you have any questions regarding any information in the Installation Instructions or this Installation Guideline, contact your local sales representative.



STEP 1

Place assembly into final position. Mark eight (8) anchor bolt locations through pre-drilled holes in assembly. Holes are 1/2" diameter. Installer must determine proper style, size, and length of anchor bolts based upon site conditions. Installer must supply anchor bolts and hardware to anchor assembly. Install anchor bolts per manufacturer's instructions. Place assembly over anchor bolts and secure. Installation is complete.

