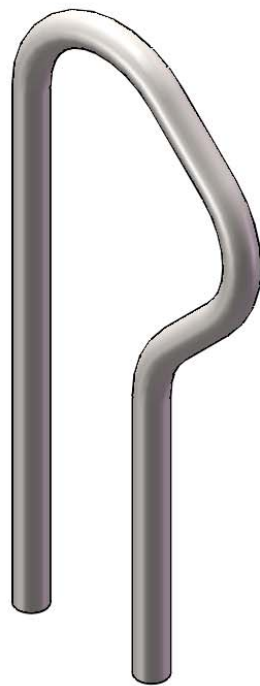


Site Amenities

BY SUPERIOR RECREATIONAL PRODUCTS



Model #
SLOPE-ING

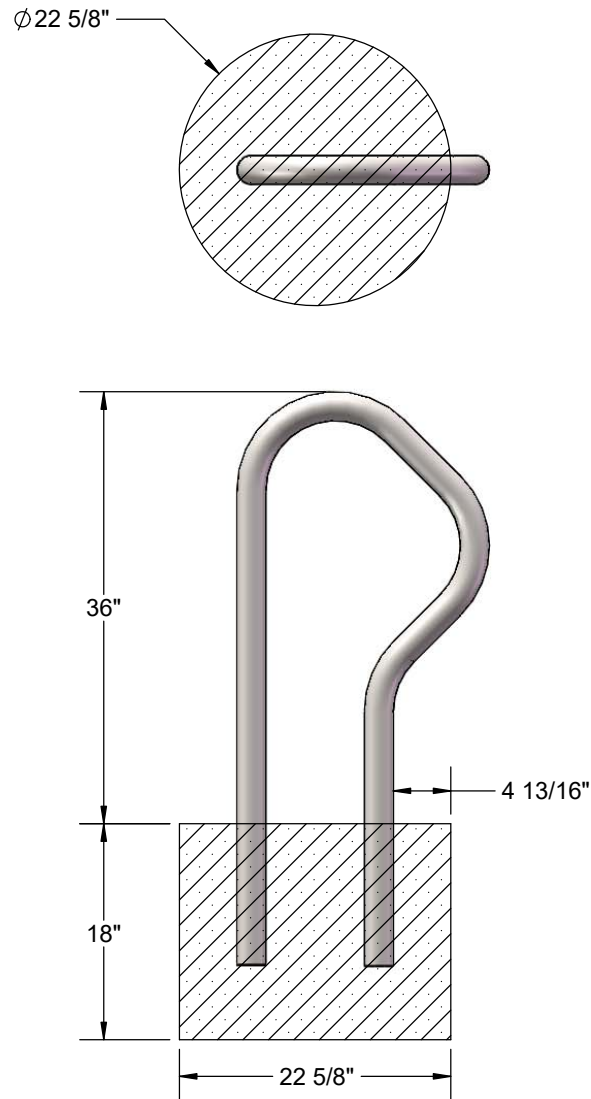


PRODUCT SPECIFICATION

SLOPE-ING

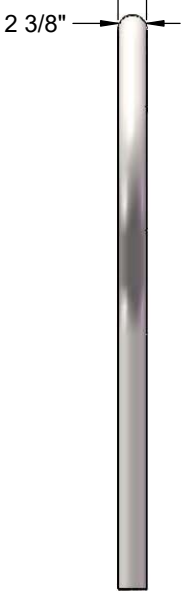
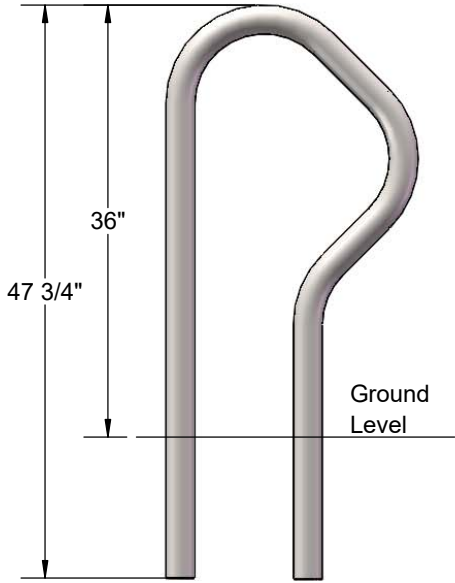
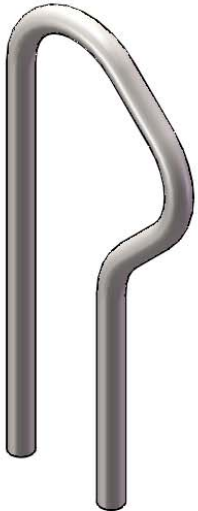
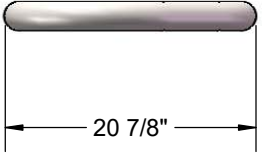
Overall dimensions shall be 36" high from the ground x 21" wide. Framework shall be fabricated from 2-3/8" O.D. pipe. 12 gauge steel pipe. Made to hold 2 bikes.

FOOTING

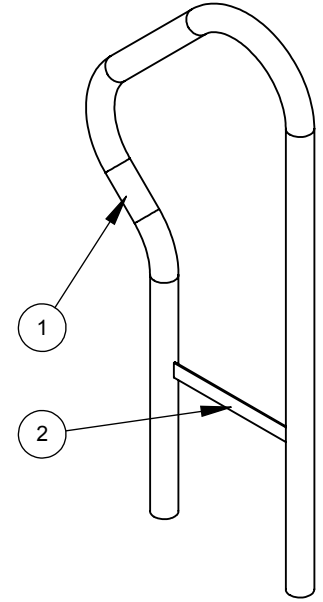
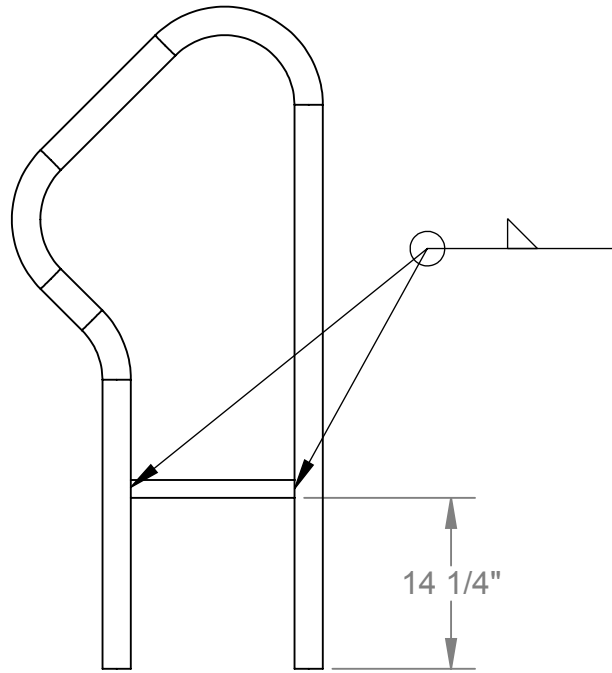
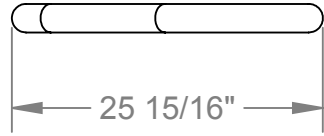


Estimated Required Concrete:
11 - 50lb Bags of Concrete Mix

OVERALL DIMENSIONS



ITEM	Part No.	QTY	DESCRIPTION
1	FAB-37383XX	1	Slope Bike Rack Frame In-Ground Mount
2	PLT-3485XX	1	Slope Bike Rack Footer Plate In-Ground Mount



Rev Date & Description:

Rev Date & Description:

Date: 11-29-2016

Drawn By: DToney

Superior Recreational Products

THIS DOCUMENT AND THE INFORMATION CONTAINED HEREIN IS THE EXCLUSIVE PROPERTY OF SUPERIOR RECREATIONAL PRODUCTS AND HAS BEEN PROVIDED TO YOU IN CONFIDENCE. THIS DOCUMENT AND THE INFORMATION HEREIN MAY NOT BE DISCLOSED OR PROVIDED TO ANY THIRD PARTY OR USED, COPIED, PHOTOGRAPHED OR OTHERWISE REPRODUCED WITHOUT PRIOR EXPRESS WRITTEN PERMISSION OF SUPERIOR RECREATIONAL PRODUCTS.

1050 Columbia Drive, Carrollton GA 30117
Toll Free: 800-327-8774 Local: 770-832-6660

Description: Slope Bike Rack In-Ground Mount

Material: COATED STEEL Rev: 00 Drawing Number: Slope-ING

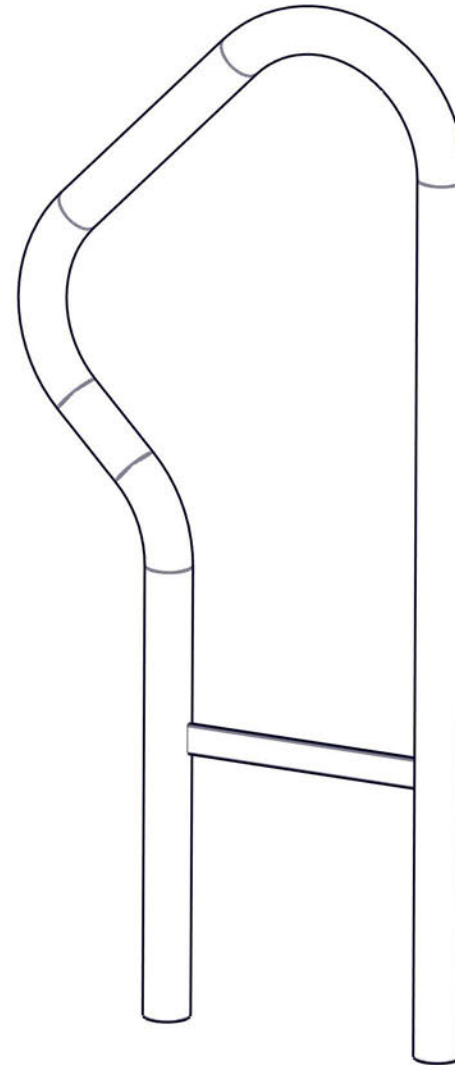
Weight: 30.4 lbs.	Size: A	Units: Inch	Tol: ±.0625 Unless Otherwise Specified	Scale: 1:16	Sheet: 1 of 1
-------------------	---------	-------------	--	-------------	---------------

USER GROUP: 5-12 Years, Adult
RECOMMENDED CREW: 1 Person
TOOLS REQUIRED:
• Level, Square
• Auger / Post Hole Digger / Shovel
• Drill Bits: None
INSTALLATION TIME: 1 Hour
WEIGHT: 30 lbs.
CONCRETE REQUIRED: (4) 80lb. bags
NOTE: Concrete must have a minimum rating of 2,500 psi and must be mixed per manufacturer's recommendations.

PRE-INSTALLATION CHECK:
Customer is responsible for verifying materials received by comparing received items with packing list. If any parts are missing or damaged, contact your local sales representative immediately.

Supplier is not responsible for items discovered missing after 72 hours from time of delivery.

Before beginning installation, all installers must read and understand the Installation Introduction manual as supplied. If you did not receive a copy, or if you have any questions regarding any information in the Installation Instructions or this Installation Guideline, contact your local sales representative.



STEP 1

Prepare footing holes. Refer to site plan drawing and site elevation drawing for placement of all structures. Installer is responsible for proper location of all structures. Footing hole spacing is shown at right. Footing holes must be 12" diameter and 21" deep. Bottom 3" of footing holes should be filled with aggregate. See Detail 1-1. Cross bar should be below grade/surfacing. Adjust footing hole depth as needed to ensure elevation. Place assembly into footing holes and plumb. Fill footing holes with concrete level with grade/surfacing. Allow concrete to cure based upon manufacturer's instructions. All concrete must be fully cured before use of structure. Installation is complete.

Detail 1-1

