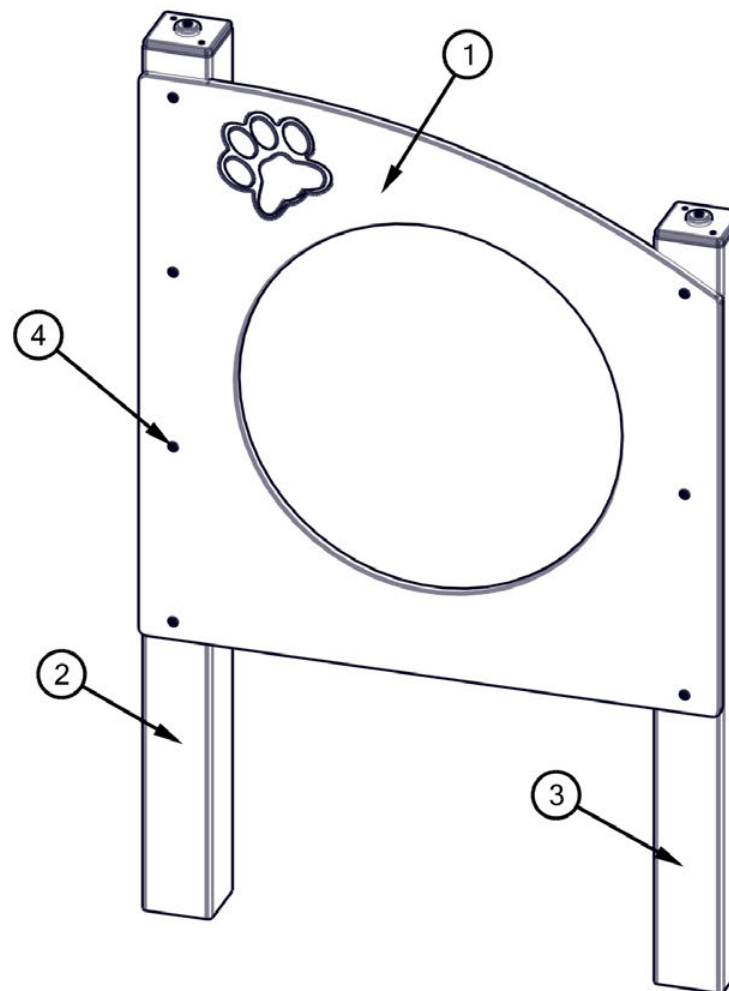


USER GROUP: All Ages  
 RECOMMENDED CREW: 1 Person  
 TOOLS REQUIRED:

- T-30 Torx
- Level, Square, Wood Saw
- Auger / Post Hole Digger / Shovel
- Drill Bits: 7/32"
- Framing, Bracing, or Concrete Forms (Not Included)
- High Speed 3/8" Electric Drill with Clutch

NOTE: Use of any other driver may result in damage to tool and/or hardware!  
 NOTE: Use Thread Locking Solution on ALL Non-Patched Hardware with Threads!  
 INSTALLATION TIME: 1 Hour  
 WEIGHT: 147 lbs.  
 CONCRETE REQUIRED: (2 or 3) 80lb. bags  
 (0.9 ft<sup>3</sup> or 1.8 ft<sup>3</sup>)  
 NOTE: Concrete must have a minimum rating of 2,500 psi and must be mixed per manufacturer's recommendations.

ITEM	Part No.	QTY	DESCRIPTION
1	RSP-2112XX	1	Sheet - R3 Dog Park 30" Tube Panel
2	REA00256XX	1	Pre-Assem - 6" x 6" x 74" Recycled post w/ Cap
3	REA00255XX	1	Pre-Assem - 6" x 6" x 64" Recycled post w/ Cap
4	HWS0301	7	Screw - 5/16" x 3-1/8" RSS SS



### PRE-INSTALLATION CHECK:

**Customer is responsible** for verifying materials received by comparing received items with packing list. If any parts are missing or damaged, including documentation, contact your local sales representative immediately.

**Supplier is not responsible** for items discovered missing after 72 hours from time of delivery.

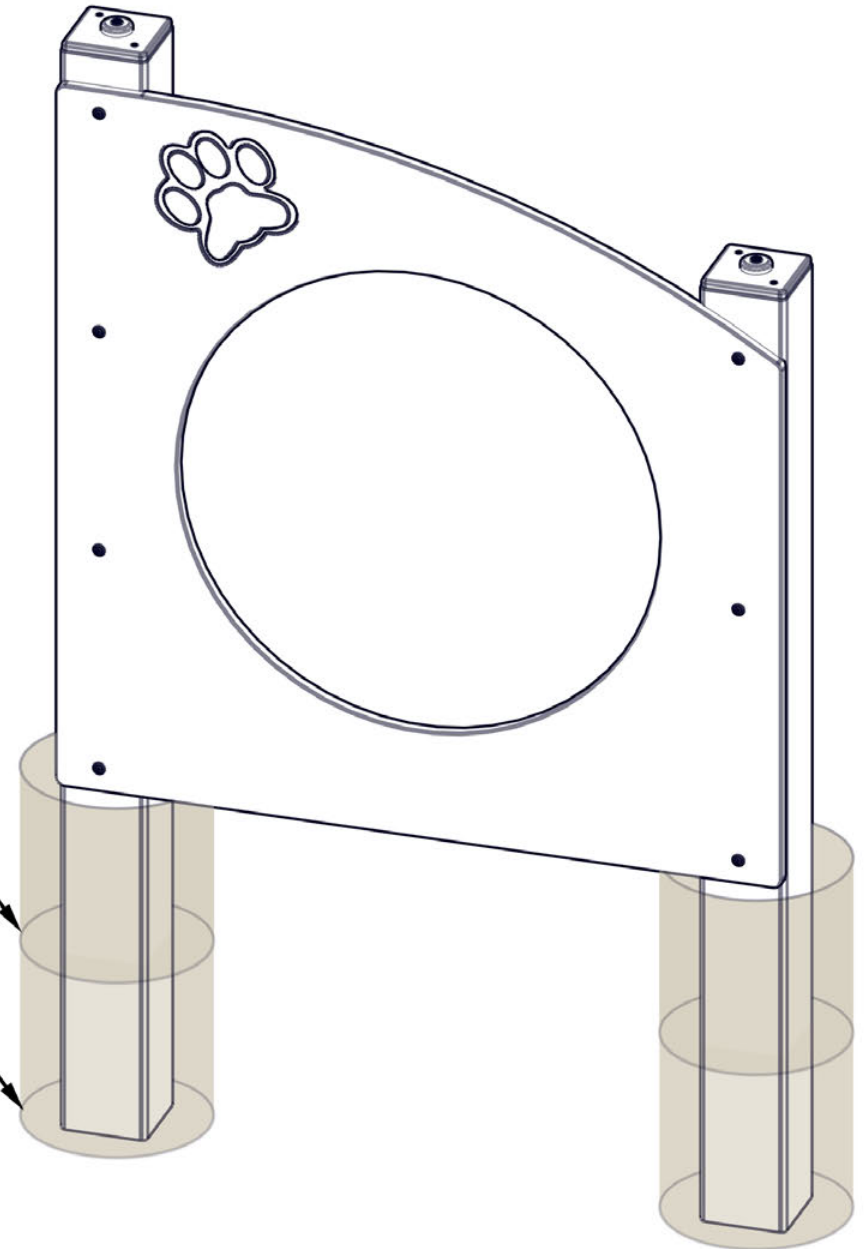
**Before beginning installation, all installers must read and understand the Installation Introduction manual as supplied.** If you did not receive a copy, or if you have any questions regarding any information in the Installation Instructions or this Installation Guideline, contact your local sales representative.

**STEP 1**

Determine depth for setting support posts. Recommended minimum depth of support posts is 12". If support posts are set at 12" depth, cut off 12" from each support post. If support posts are set at 24" depth, support posts do not require modification.

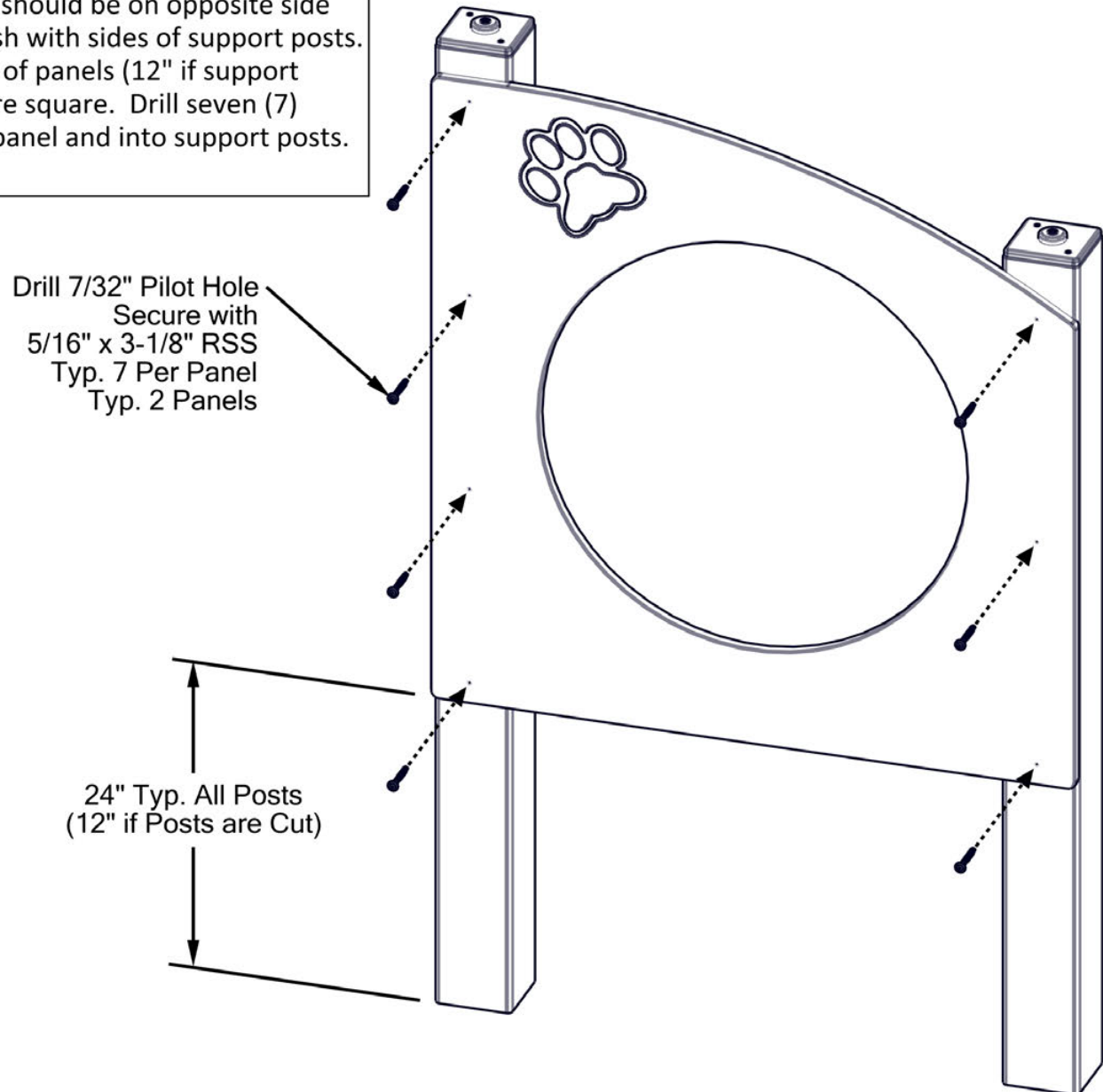
For 12" Footing Hole Depth:  
Cut Off 12" of Support Post  
Typ. All

For 24" Footing Hole Depth:  
Do Not Cut Support Post  
Typ. All



**STEP 2**

Mount support posts to panel. Support posts should be on opposite side of design. Outer edges of panel should be flush with sides of support posts. All support posts should be 24" from bottoms of panels (12" if support posts have been cut). Ensure support posts are square. Drill seven (7) 7/32" pilot holes through pre-drilled holes in panel and into support posts. Secure with seven (7) 5/16" x 3-1/8" RSS. Secure with seven (7) 5/16" x 3-1/8" RSS.



**STEP 3**

Set support posts. Refer to site plan drawing and site elevation drawing for placement of all support posts. Installer is responsible for proper location of all support posts. Support post spacing is shown at right. Footing holes for support posts must be a minimum of 12" diameter and 12" deep. Footing holes should be 24" deep if support posts are not cut. Place assembly into footing holes and plumb. Fill each footing hole with concrete to within 3" from ground surface. Allow concrete to cure based upon manufacturer's instructions. Backfill each footing hole with dirt, flush with grade. See Detail 3-1. Installation is complete.

**Detail 3-1**

