

USER GROUP: 2-5 Years, 5-12 Years

RECOMMENDED CREW: 1 Person

TOOLS REQUIRED:

- Level, Square, Plastic / Metal Saw
- Auger / Post Hole Digger / Shovel
- Drill Bits: None
- Framing, Bracing, or Concrete Forms (Not Included)
- High Speed 3/8" Electric Drill with Clutch

NOTE: Use of any other driver may result in damage to product, tool, and/or hardware!

NOTE: Apply Thread Locking Solution to ALL Non-Patched Hardware with Threads!

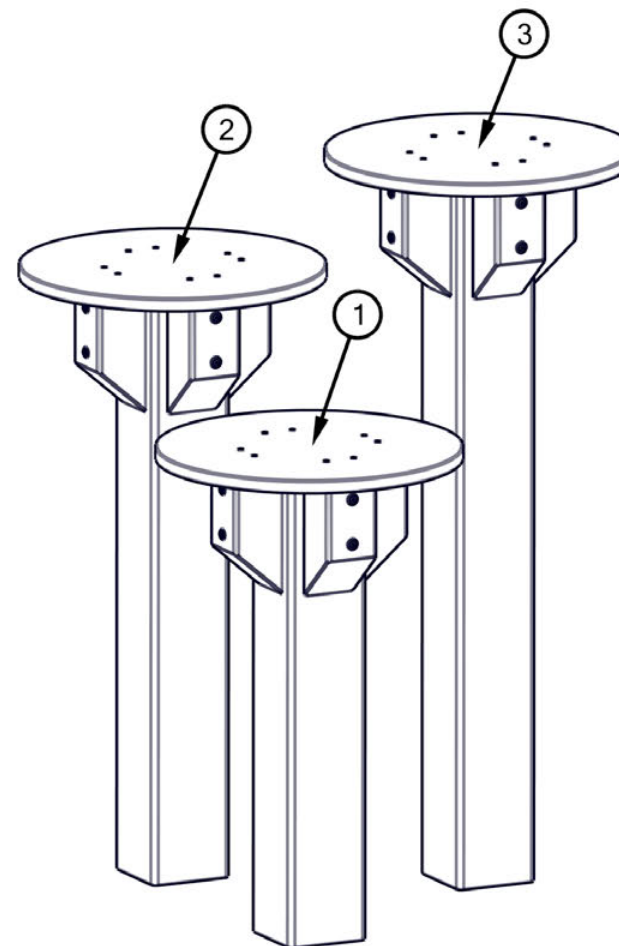
INSTALLATION TIME: 1 Hour

WEIGHT: 154 lbs.

CONCRETE REQUIRED: (2.2 or 5.0) 80lb. bags
1.3 ft³ or 3.0 ft³

NOTE: Concrete must have a minimum rating of 2,500 psi and must be mixed per manufacturer's recommendations.

ITEM	Part No.	QTY	DESCRIPTION
1	REA00257XX	1	Pre-Assem - R3 Dog Park Step Up 32"
2	REA00258XX	1	Pre-Assem - R3 Dog Park Step Up 40"
3	REA00259XX	1	Pre-Assem - R3 Dog Park Step Up 48"



PRE-INSTALLATION CHECK:

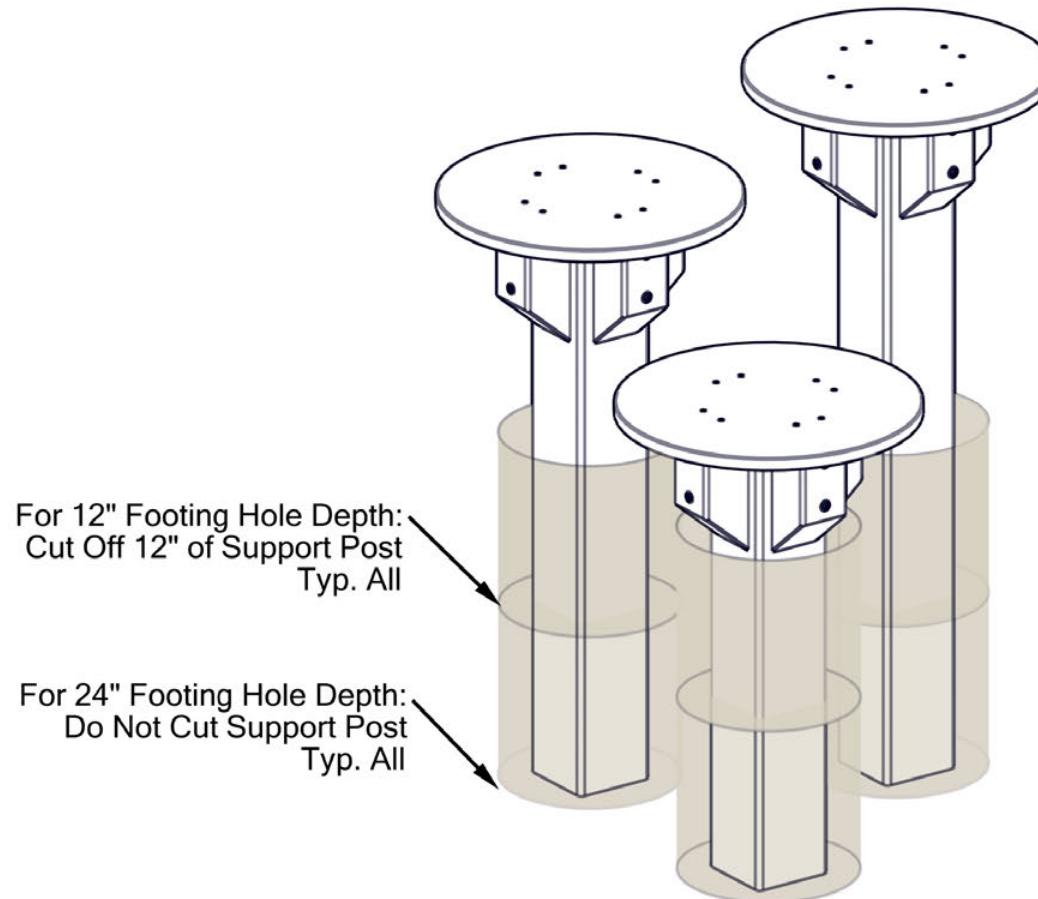
Customer is responsible for verifying materials received by comparing received items with packing list. If any parts are missing or damaged, including documentation, contact your local sales representative immediately.

Supplier is not responsible for items discovered missing after 72 hours from time of delivery.

Before beginning installation, all installers must read and understand the Installation Introduction manual as supplied. If you did not receive a copy, or if you have any questions regarding any information in the Installation Instructions or this Installation Guideline, contact your local sales representative.

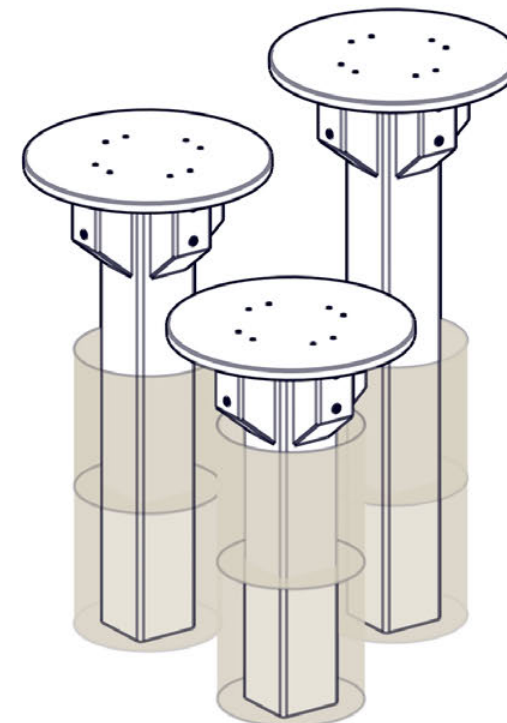
STEP 1

Determine depth for setting support posts. Recommended minimum depth of support posts is 12". If support posts are set at 12" depth, cut off 12" from each support post. If support posts are set at 24" depth, support posts do not require modification.

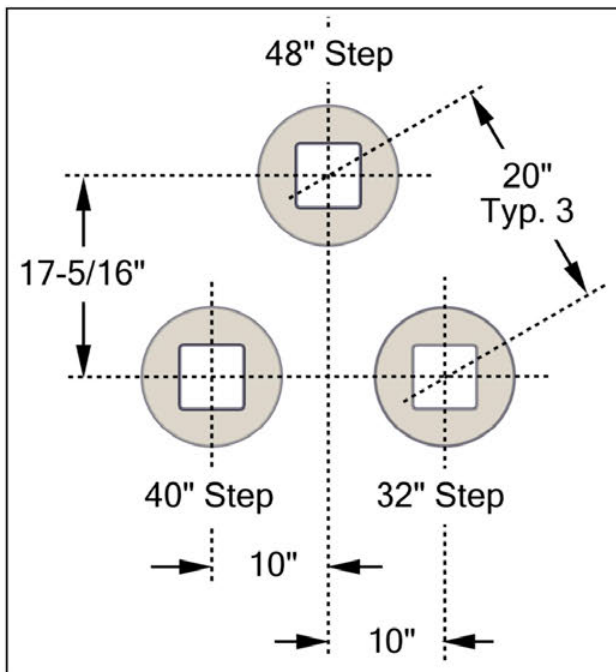


STEP 2

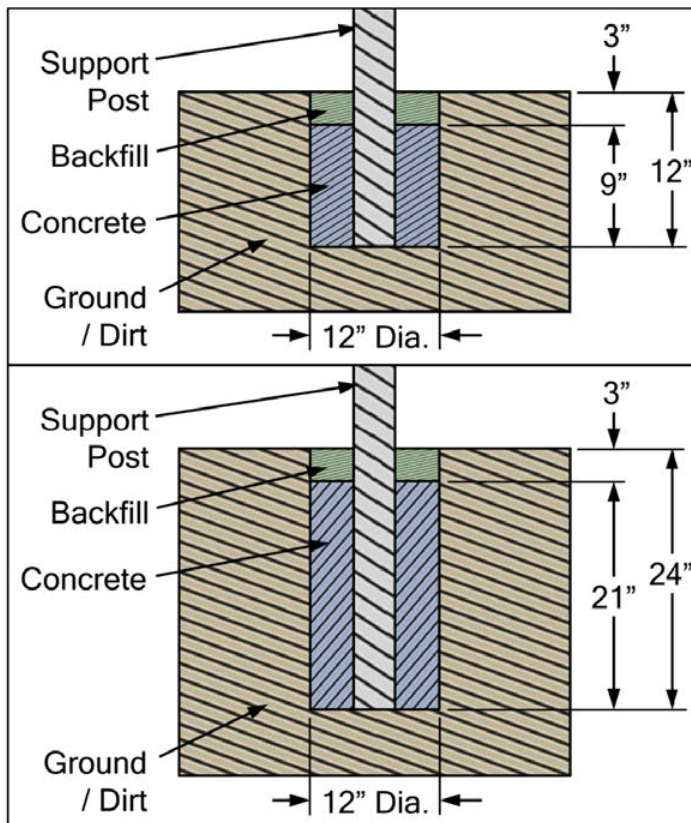
Set support posts. Refer to site plan drawing and site elevation drawing for placement of all support posts. Installer is responsible for proper location of all support posts. See Detail 2-1 for footing hole spacing. Footing holes for support posts must be a minimum of 12" diameter and 12" deep. Footing holes should be 24" deep if support posts aren't cut. Place assemblies into footing holes and plumb. Fill each footing hole with concrete to within 3" from ground surface. Allow concrete to cure based upon manufacturer's instructions. Backfill each footing hole with dirt, flush with grade. See Detail 2-2. Installation is complete.



Detail 2-1



Detail 2-2



Page Intentionally Left Blank