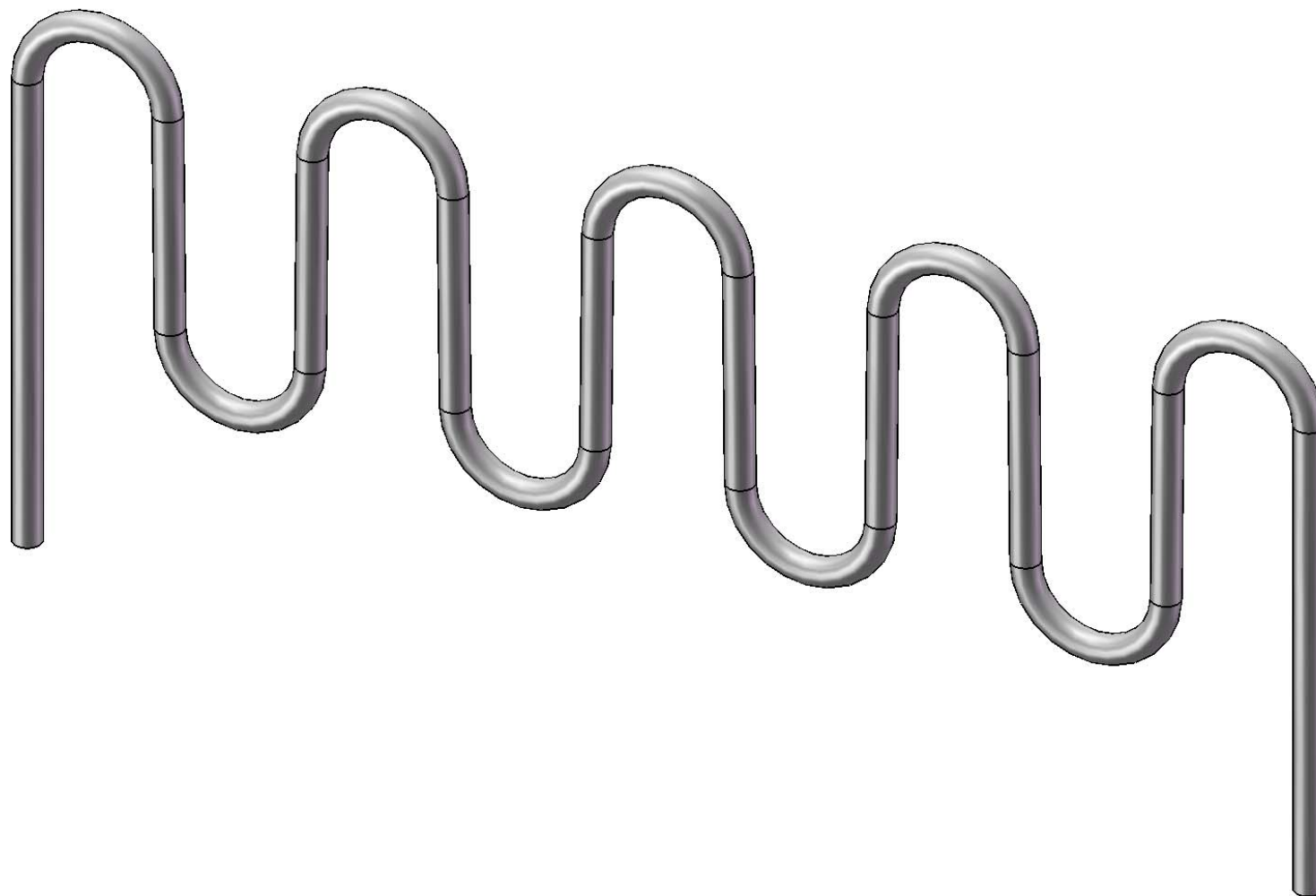


Site Amenities

BY SUPERIOR RECREATIONAL PRODUCTS



Model #
MSBR5XX

 **SUPERIOR**[®]
RECREATIONAL PRODUCTS
A **PLAYCORE** Company

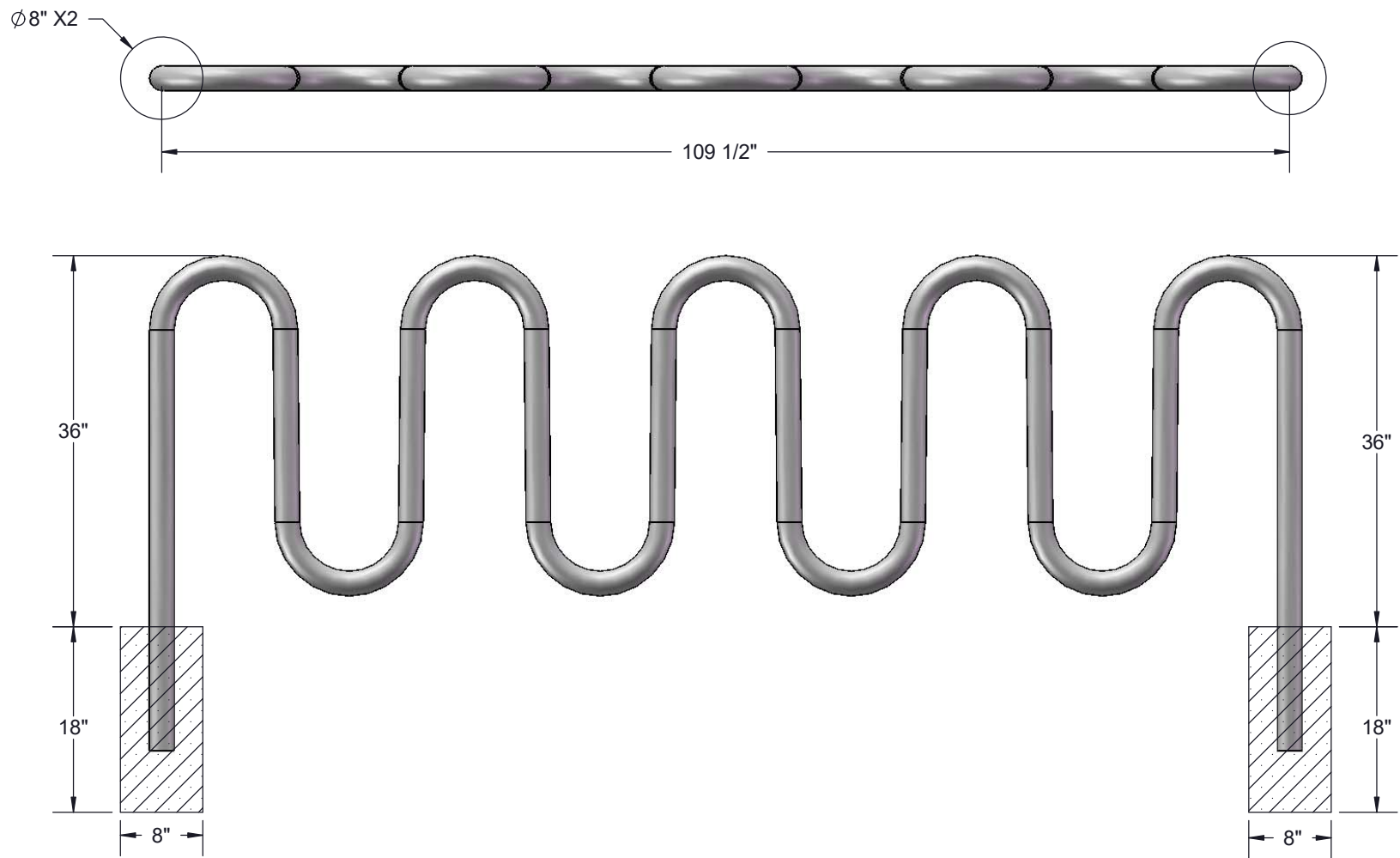
PRODUCT SPECIFICATIONS

MSBR5XX

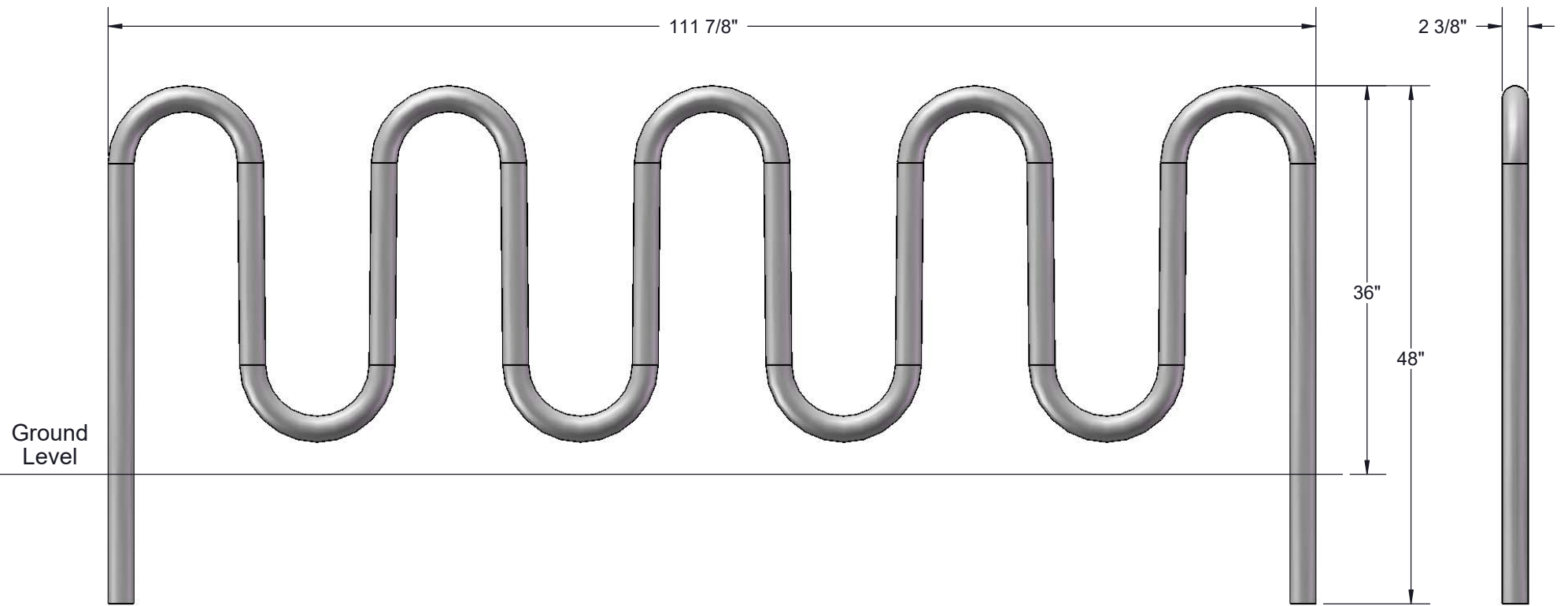
Overall (Installed) dimensions shall be 36"(91.44cm) high x 2-3/8"(6.03cm) wide x 112"(284.48cm) approximately. Framework shall be fabricated from 2-3/8"(6.03cm) O.D. 12 gauge pipe. Made to hold 11 bikes.

FOOTINGS

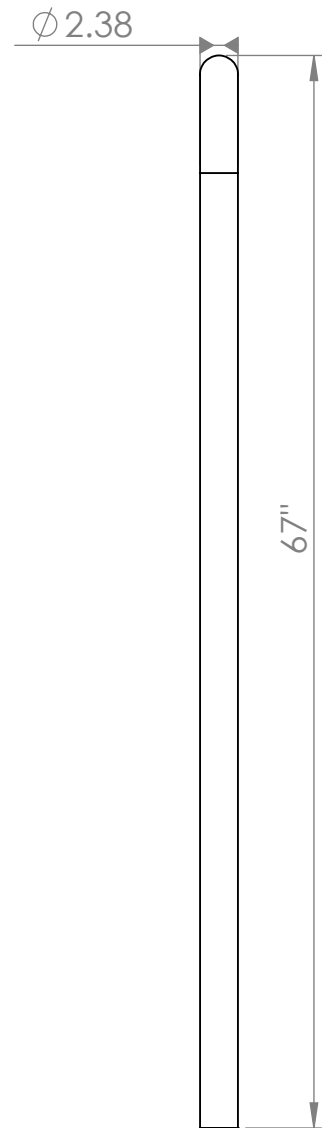
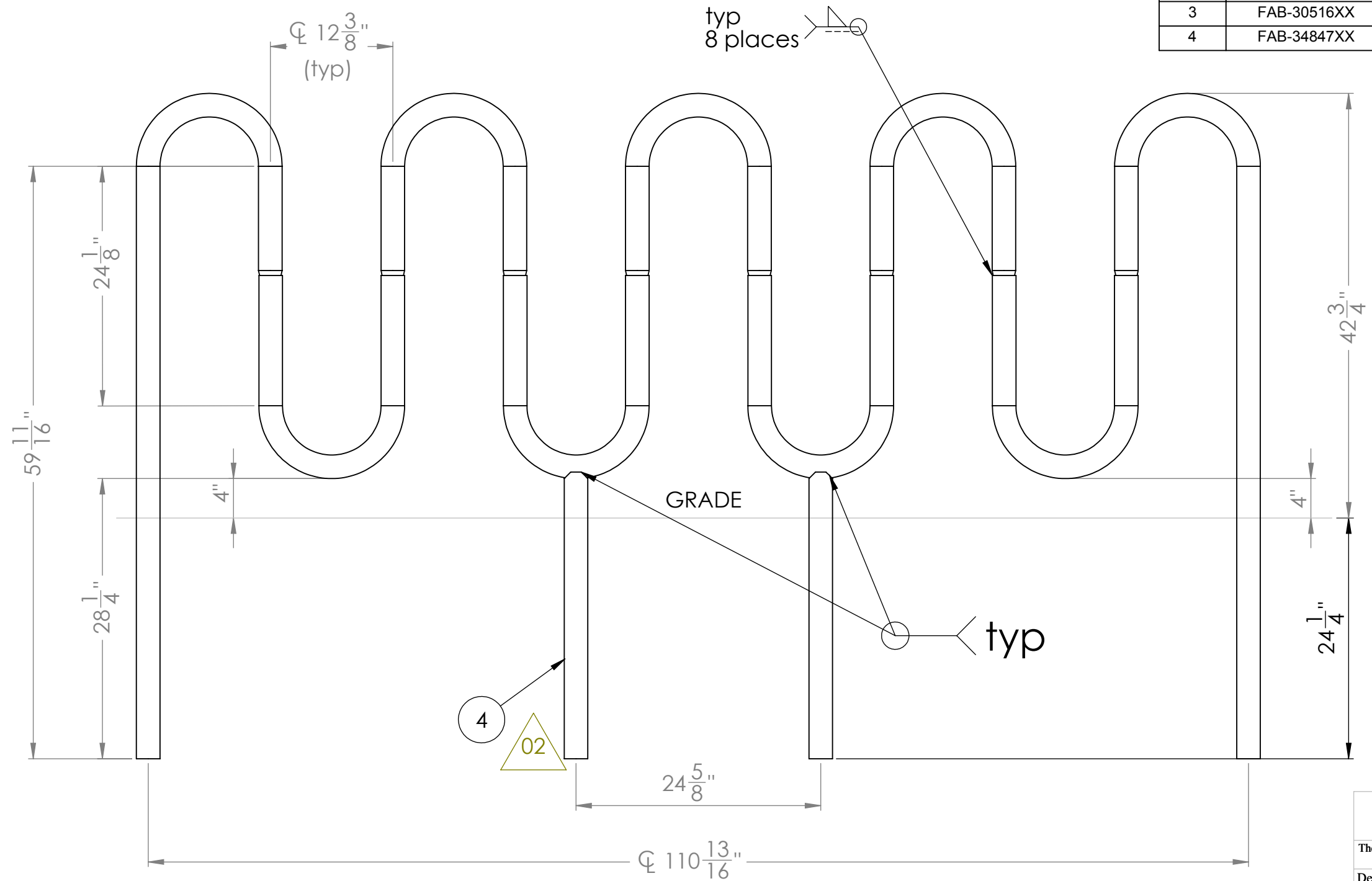
Estimated Required Concrete: 3 - 50 lb. Bags of Concrete



OVERALL DIMENSIONS



ITEM	Part No.	QTY	DESCRIPTION
1	FAB-30370XX	2	2.375" x 96" Hump for Bike Rack w/swaged end
2	FAB-30377XX	4	2.375" x 45-5/8" Hump for Bike Rack
3	FAB-30516XX	3	2.375" x 53-5/16" Hump for Bike Rack w/swaged end
4	FAB-34847XX	1	FAB - 2.375" OD x 13 GA x 28-7/8" Coped one end



Playland International

The Information contained in this Drawing is the sole Property of Playland International. Any reproduction in part or as a whole without the written permission of Playland International is PROHIBITED.

Description: **M Style Bike Rack - 5-Hump**

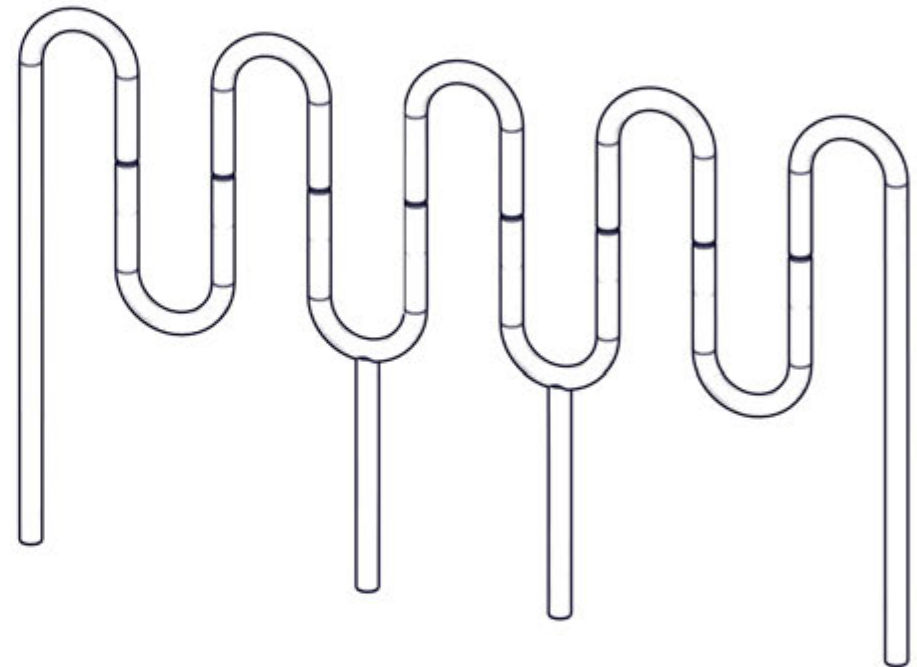
Material:	Quantity: 1 Weldment	Weight: 105 lbs.	Units: Inches
Rev Date & Description: Rev. 1 7/7/14 SP Per ECN 2014-018.	Scale: 1:12	Rev: 02	Tol: ± .0625 Unless Otherwise Specified
Rev 02 03/09/15 ET Per ECN 2014-004.	Drawn By: spope	Sheet: 1 of 1	
	Date: 07-07-2014	Drawing Number: MSBR5XX_	
	Checked By:	Checked By:	

USER GROUP: All
RECOMMENDED CREW: 1 Person
TOOLS REQUIRED:
• Level, Square
• Auger / Post Hole Digger / Shovel
INSTALLATION TIME: 1/2 Hour
WEIGHT: 110 lbs.
CONCRETE REQUIRED: (23) 80lb. bags
NOTE: Concrete must have a minimum rating of 2,500 psi and must be mixed per manufacturer's recommendations.

PRE-INSTALLATION CHECK:
Customer is responsible for verifying materials received by comparing received items with packing list. If any parts are missing or damaged, contact your local sales representative immediately.

Supplier is not responsible for items discovered missing after 72 hours from time of delivery.

Before beginning installation, all installers must read and understand the Installation Introduction manual as supplied. If you did not receive a copy, or if you have any questions regarding any information in the Installation Instructions or this Installation Guideline, contact your local sales representative.



STEP 1

Prepare footing holes. Support post spacing is shown at right. Footing holes for support posts must be 18" diameter and 24" deep. Place one block (not included) into bottom of each footing hole. Place assembly into footing holes and plumb. Fill each footing hole with concrete to within 3" from ground surface. Allow concrete to cure based upon manufacturer's instructions. Backfill each footing hole with dirt, flush with grade. See Detail 1-1. Check all connections and ensure structure is stable. Installation is complete.

Detail 1-1

