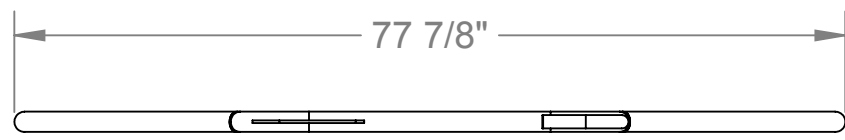
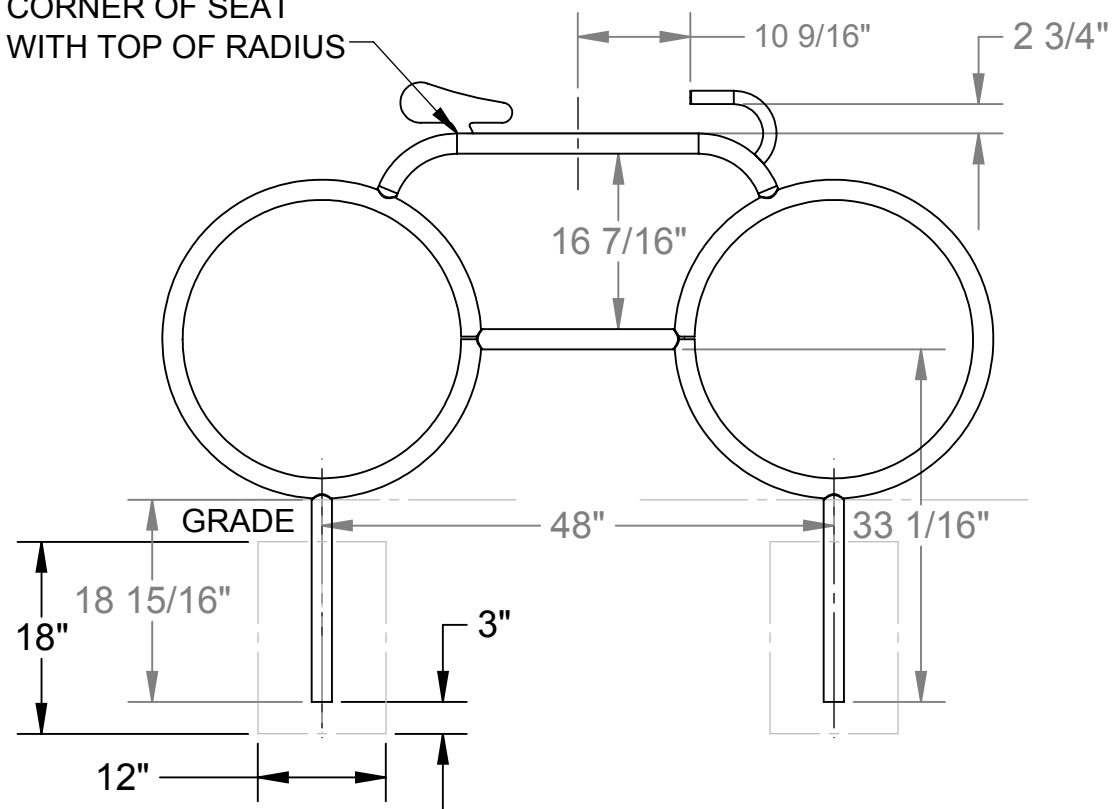
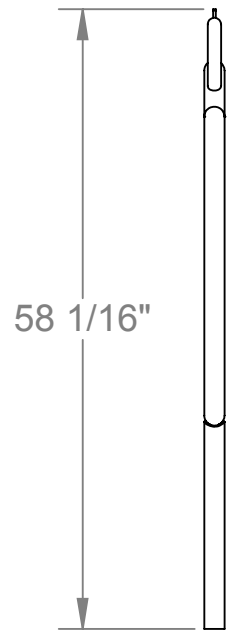
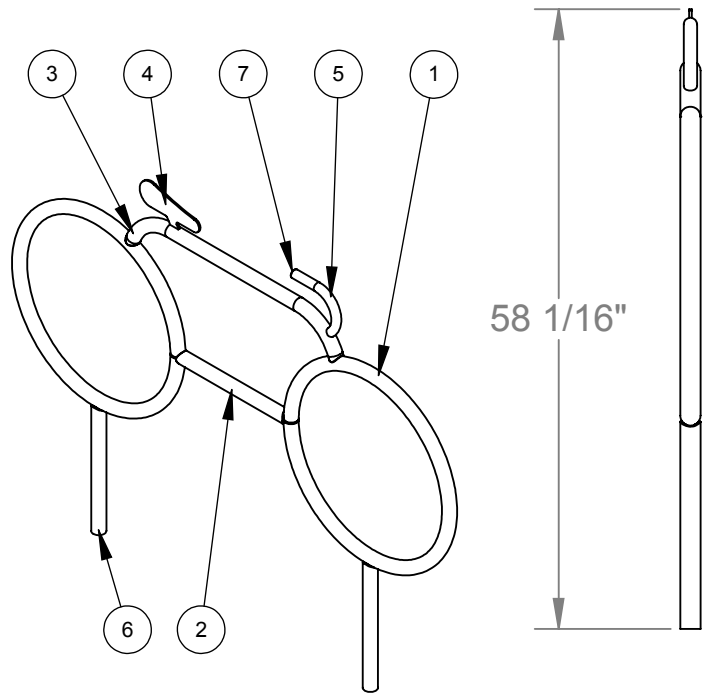



ITEM	Part No.	QTY	DESCRIPTION
1	FAB-37387XX	2	Cyclist Bike Rack Wheel
2	FAB-37389XX	1	Cyclist Bike Rack Down Tube
3	FAB-37388XX	1	Cyclist Bike Rack Top Tube
4	PLT-3488XX	1	Cyclist Seat Plate
5	FAB-37390XX	1	Cyclist Handle
6	FAB-37391XX	2	Cyclist Bike Rack In-Ground Footer
7	PLT01410XX	1	Plate - End Cap for 1.25" OD Pipe



BACK CORNER OF SEAT
EVEN WITH TOP OF RADIUS

Rev Date & Description:

Rev Date & Description:

Date: 01-09-2017

Drawn By: DToney

Superior Recreational Products

THIS DOCUMENT AND THE INFORMATION CONTAINED HEREIN IS THE EXCLUSIVE PROPERTY OF SUPERIOR RECREATIONAL PRODUCTS AND HAS BEEN PROVIDED TO YOU IN CONFIDENCE. THIS DOCUMENT AND THE INFORMATION HEREIN MAY NOT BE DISCLOSED OR PROVIDED TO ANY THIRD PARTY OR USED, COPIED, PHOTOGRAPHED OR OTHERWISE REPRODUCED WITHOUT PRIOR EXPRESS WRITTEN PERMISSION OF SUPERIOR RECREATIONAL PRODUCTS.

1050 Columbia Drive, Carrollton GA 30117
Toll Free: 800-327-8774 Local: 770-832-6660

Description: **Cyclist Bike Rack In-Ground Mount**

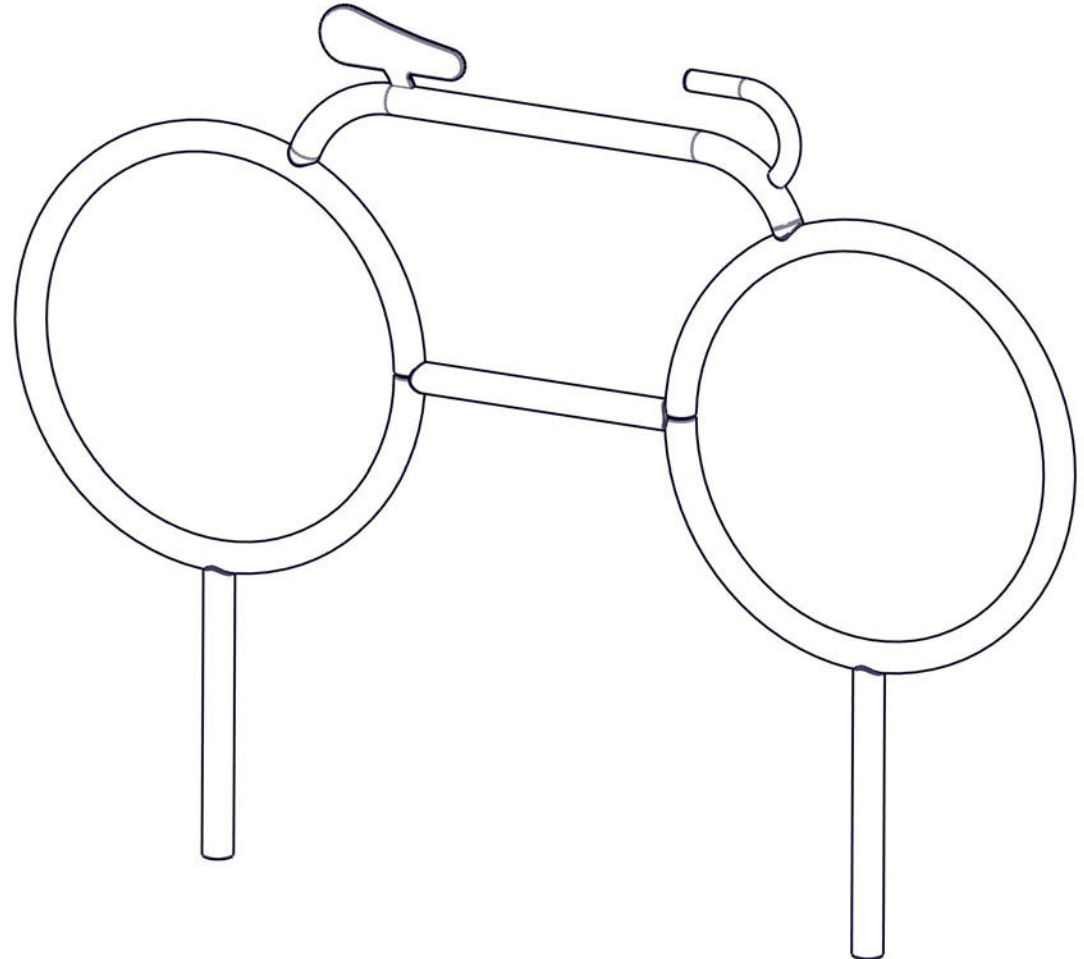
Material: COATED STEEL	Rev: 00	Drawing Number: Cyclist-ING
Weight: 55.62 lbs.	Size: A	Units: Inch
Tol: ±.0625 Unless Otherwise Specified	Scale: 1:18	Sheet: 1 of 1

USER GROUP: 5-12 Years, Adult
RECOMMENDED CREW: 1 Person
TOOLS REQUIRED:
• Level, Square
• Auger / Post Hole Digger / Shovel
• Drill Bits: None
INSTALLATION TIME: 1 Hour
WEIGHT: 56 lbs.
CONCRETE REQUIRED: (4) 80lb. bags
NOTE: Concrete must have a minimum rating of 2,500 psi and must be mixed per manufacturer's recommendations.

PRE-INSTALLATION CHECK:
Customer is responsible for verifying materials received by comparing received items with packing list. If any parts are missing or damaged, contact your local sales representative immediately.

Supplier is not responsible for items discovered missing after 72 hours from time of delivery.

Before beginning installation, all installers must read and understand the Installation Introduction manual as supplied. If you did not receive a copy, or if you have any questions regarding any information in the Installation Instructions or this Installation Guideline, contact your local sales representative.





STEP 1

Prepare footing holes. Refer to site plan drawing and site elevation drawing for placement of all structures. Installer is responsible for proper location of all structures. Footing hole spacing is shown at right. Footing holes must be 12" diameter and 18" deep. Bottom 3" of footing holes should be filled with aggregate. See Detail 1-1. Bottoms of wheels of structure should be flush or up to 3" above grade/surfacing. Adjust footing hole depth as needed to ensure elevation. Place assembly into footing holes and plumb. Fill footing holes with concrete level with grade/surfacing. Allow concrete to cure based upon manufacturer's instructions. All concrete must be fully cured before use of structure. Installation is complete.

Detail 1-1

