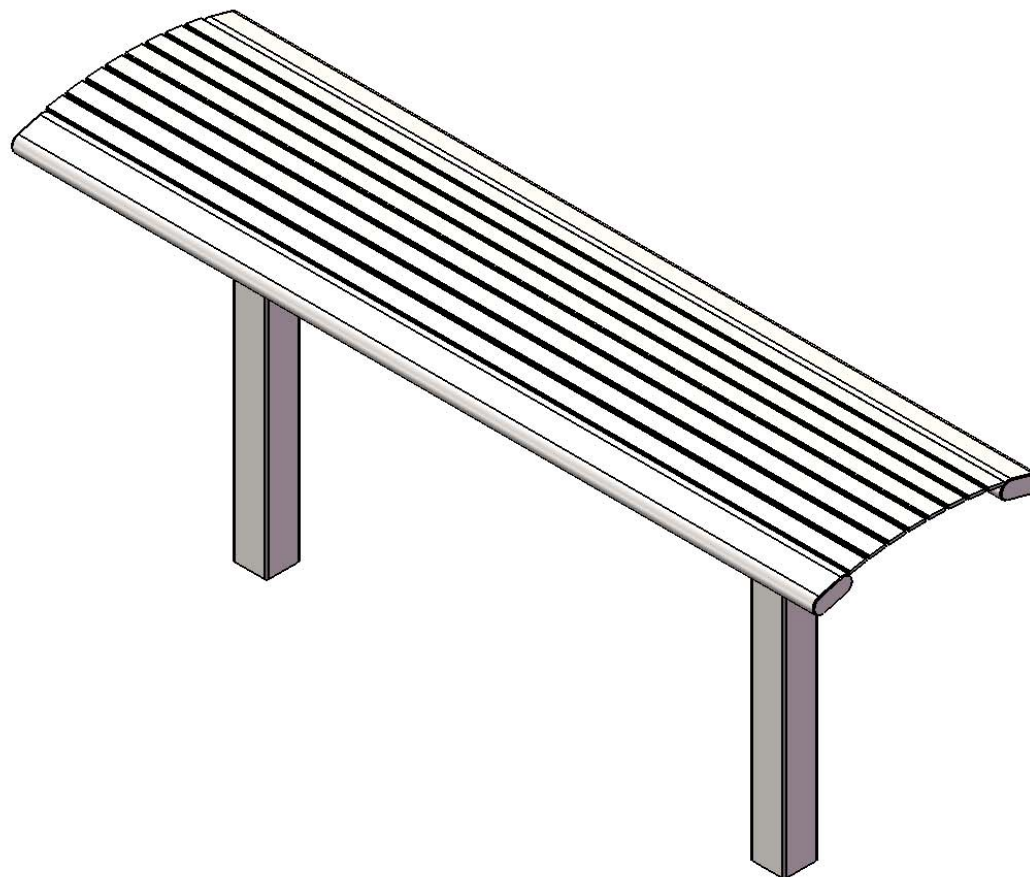


Site Amenities

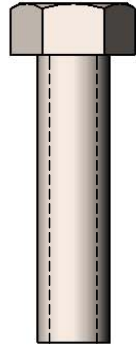
BY SUPERIOR RECREATIONAL PRODUCTS



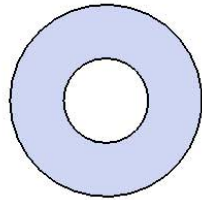
Model #
B6ARS-ST

 **SUPERIOR**[®]
RECREATIONAL PRODUCTS
A **PLAYCORE** Company

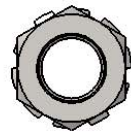
HARDWARE



3/8" x 1-1/2"
MACHINE BOLT

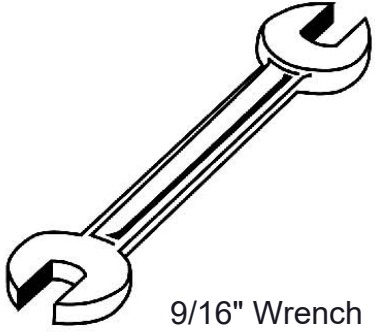


3/8" FLAT WASHER



3/8" KEPNUT

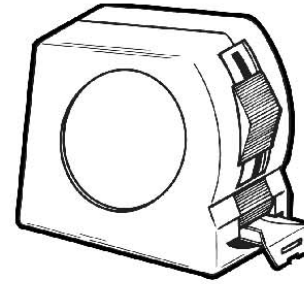
TOOLS REQUIRED



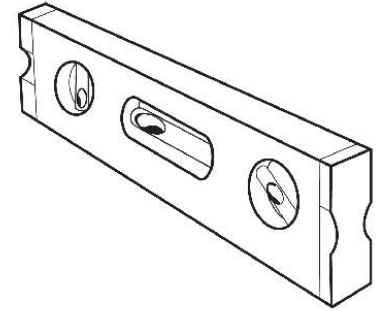
9/16" Wrench



9/16" Socket Wrench



Tape Measure



Level

PRODUCT SPECIFICATIONS

B6ARS-ST ARCHES INGROUND MOUNT BENCH WITOUT BACK

Seat: Is fabricated from 1 ½" x ¼" flat steel strips. Reinforced with 1/4" thick support ribs. End Planks are made from 1-1/2" x 3-1/2" steel oval tubing.

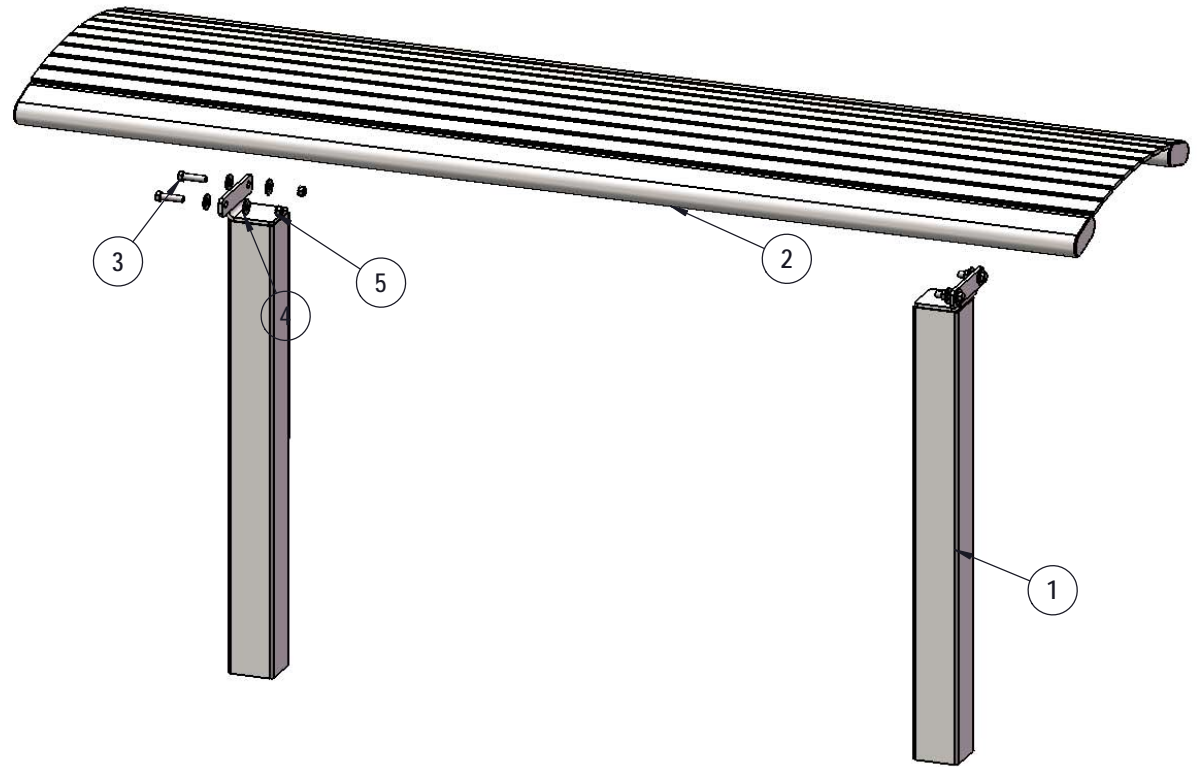
Frame: 3" x 3" square x11 gauge structural steel tubing. All electrically MIG welded.

Coating: Electrostatic powder coated application oven cured.

Dimensions: 6' inground mounted bench without back. Seat is 20" wide x 71" long. Seat height is 18" from the ground to the top of the seat. The overall dimensions are 71" x 20" x 32-1/2"

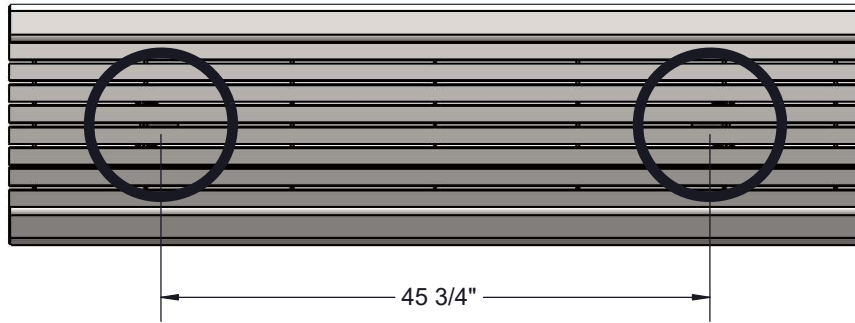
COMPONENTS

Attach the seats to the frames using specified hardware.

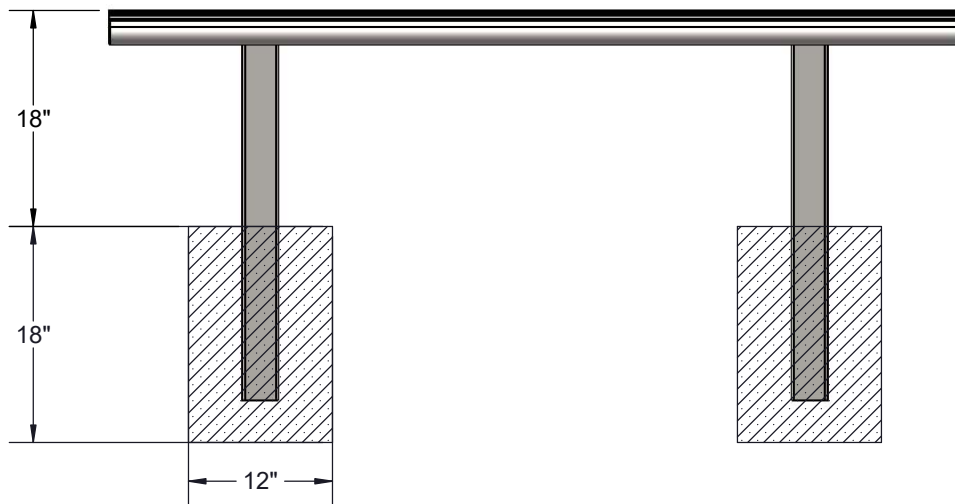


ITEM NO.	PartNo	DESCRIPTION	QTY
1	P-01-01-0419	82 Series S Leg	2
2	P-01-01-0415	6' Richmond Series Seat	1
3	33-05-0049	3/8" x 1 1/2" Machine Bolt (SS)	4
4	33-02-0008	3/8" Flat Washer (SS)	8
5	33-03-0013	3/8" Kep Nut (SS)	4

FOOTING DETAILS



Estimated Required Concrete:
7 - 50lb Bags of Concrete Mix



OVERALL DIMENSIONS

