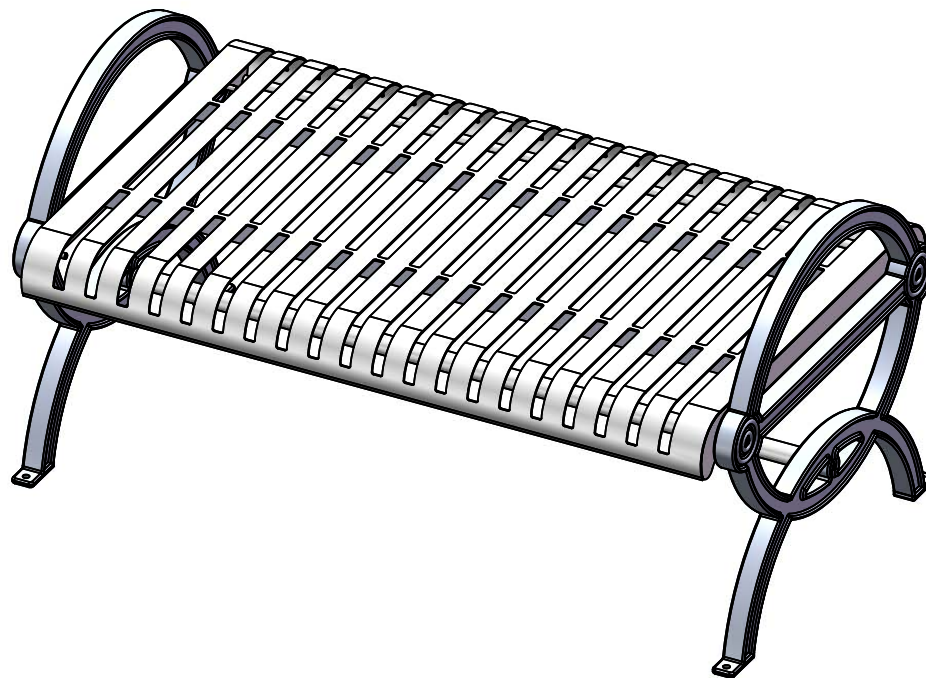


Site Amenities

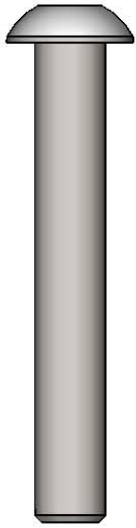
BY SUPERIOR RECREATIONAL PRODUCTS



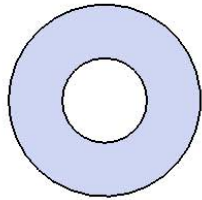
Model #
B4GW-ST-V

 **SUPERIOR**[®]
RECREATIONAL PRODUCTS
A **PLAYCORE** Company

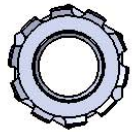
HARDWARE



3/8" X 2-1/2"
Button Head Bolt

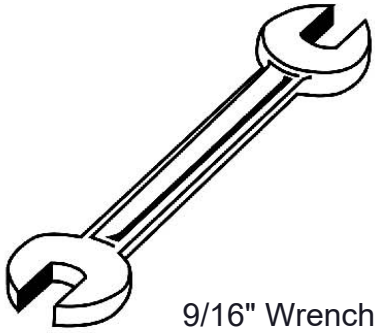


3/8" Washer



3/8" Kep Nut

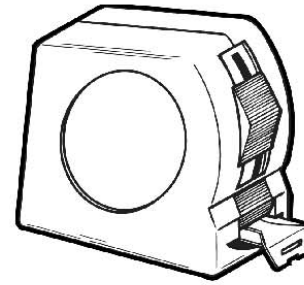
TOOLS REQUIRED



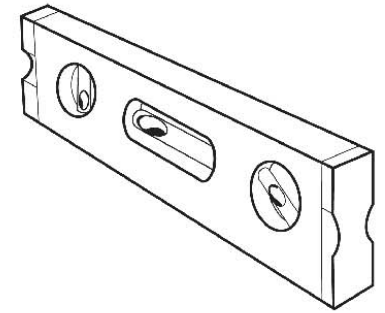
9/16" Wrench



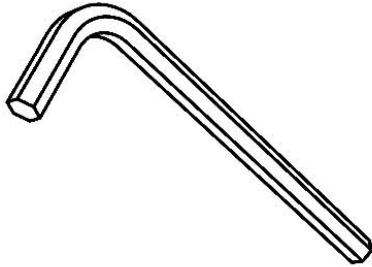
9/16" Socket Wrench



Tape Measure



Level



7/32 Allen Wrench

PRODUCT SPECIFICATIONS

B4GW-ST-V GATEWAY BENCH WITHOUT BACK

Seats: Seats dimensions are 30" x 48". 12 gauge sheet steel is precision punched to create the slat pattern. End plates are made of 7 gauge flat steel plate. Reinforced with 3/16 x 1-1/2" flat strip. Electrically MIG welded.

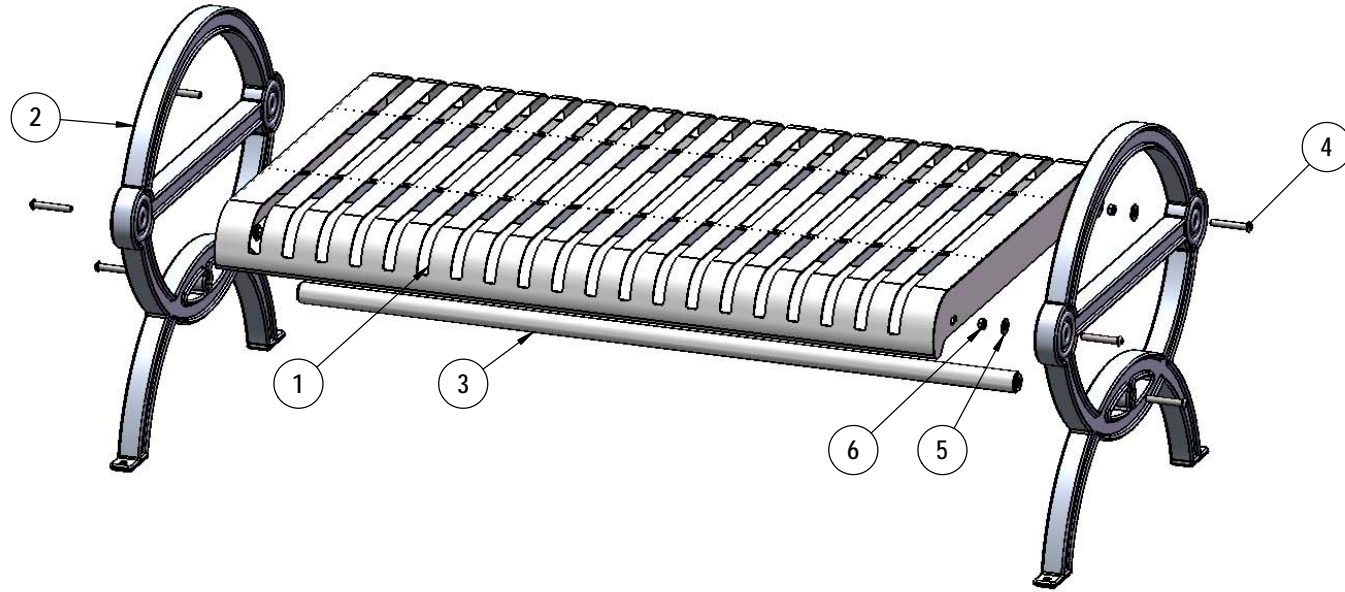
Frame: Legs are cast aluminum.

Frame Coating: Metal is sandblasted to near white condition. Coated with zinc rich epoxy primer and top coated with electrostatic powdercoat, oven cured.

Hardware: All fasteners are stainless steel.

Dimensions: 4' portable/surface mount bench without back. Seats are 30" wide x 48" long. Seat height is 18-1/2" from the ground to the top of the seat. The overall dimensions are 51" x 30" x 25-5/8" Tall.

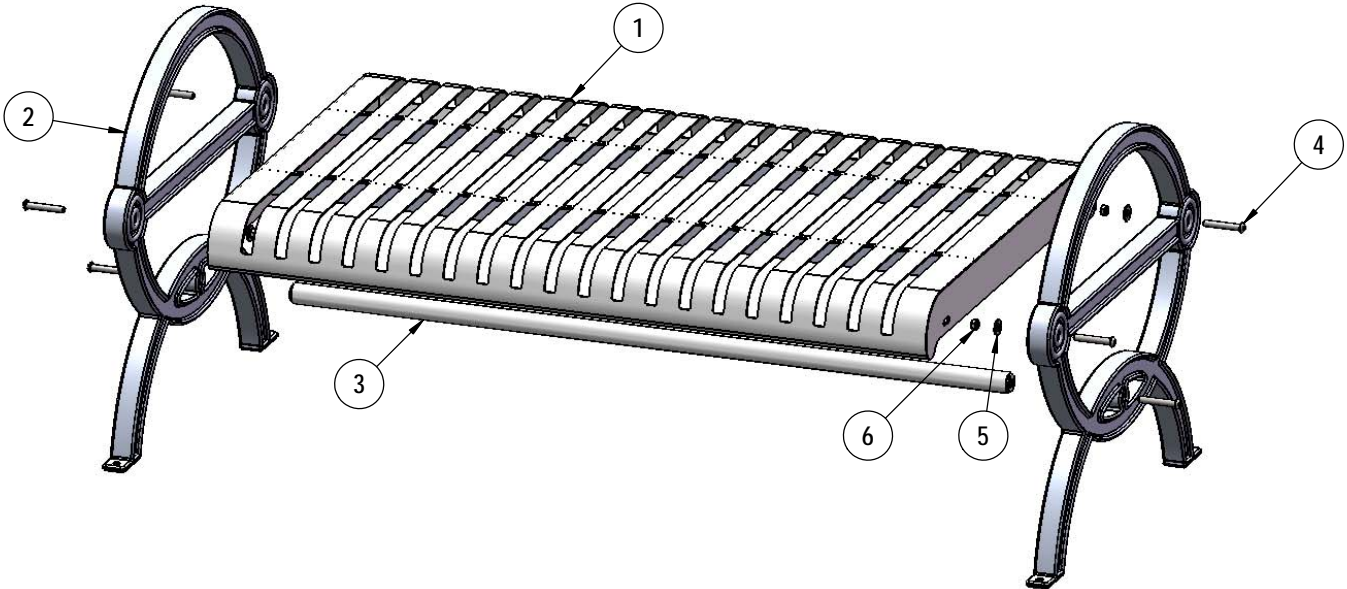
COMPONENTS



Optional Surface Mount Hardware:
 3/8" x 3-1/2" Concrete Expansion Anchor Bolts
 (Not Included)

ITEM NO.	PartNo	DESCRIPTION	QTY
1	S48FCT-S	4' Slat Flat Contour	1
2	11-01-CAST8	Durham Casted Aluminum Bench Frame	2
3	01-01-0499	48" Support Bar	1
4	33-06-0093	3/8"-16 x 2-1/2" Button Head Bolt (SS)	6
5	33-02-0008	3/8" Flat Washer (SS)	4
6	33-03-0013	3/8" Kep Nut (SS)	4

STEP 1



Attach the 4' Slat Flat Contour Seat to the Cast End Frames using the specified hardware.

OVERALL DIMENSIONS

