

**UP164J CARDIO WALKER (FOOTING)
UP164S CARDIO WALKER (IN GROUND)
UP164M CARDIO WALKER (SURFACE MOUNT)**

Parts List					
ITEM	DESCRIPTION	UP164J (FOOTING)	UP164S (IN GROUND)	UP164M (SURFACE MOUNT)	PART NUMBER
1	MAIN FRAME WELD ASS'Y	1	1	1	211843
2	CARDIO ARM ASS'Y	2	2	2	211838
3	FOOTHOLD	2	2	2	403708
4	BASE COVER	2	2	2	206838
5	FOOTBUCK WELD ASSEMBLY	0	2	0	206467
6	3 1/2" DOME CAP	2	2	2	211492
	HARDWARE COMPLETE	1	0	0	403947
	HARDWARE COMPLETE	0	1	0	403948
	HARDWARE COMPLETE	0	0	1	403949
	USAGE/WARNING LABEL	1	1	1	403884*
	3/8" x 3/4" P.B.H.C.S. w/PATCH	4	4	4	812052*
	3/8" x 1 1/4" HEX HEAD BOLT (GR 8)	2	2	2	800811*
	3/8" FLAT WASHER (1" O.D.)	4	4	4	817401*
	3/8" LOCK WASHER	6	6	6	817334*
	1/2" X 2 1/4" FLATWASHER	2	2	2	126925*
	1/2" ANCHOR ROD	0	4	0	135038*
	3/4" X 2" HEX HEAD CAP SCREW	0	8	0	801533*
	3/4" X 4 1/4" WEDGE ANCHOR	0	0	8	206358*
	3/4" ANCHOR BOLT	8	0	0	800001*
	3/4" FLATWASHER (2" O.D.)	16	8	0	817420*
	3/4" HEX NUT	16	8	0	804058*
	3/4" LOCKWASHER	8	8	8	817354*
	5" INJECTION MOLDED CAP	2	2	2	207710*
	#12 x 3/4" SS SELF DRILLING SCREW	4	4	4	810072*
	SPACER PLATE	2	2	2	211597*

Unless Otherwise Specified, All Units of Measure are Each

**Items listed below Hardware Complete line are included with Hardware Complete Number*

Warning: During Installation, Hardware And Small Parts Are Choking Hazards For Young Children. Store Unused Parts Appropriately Until Assembly Is Completed. Once Assembly Is Completed, Remove Any Unused Parts From The Play Environment And Dispose/Save Them In A Secure Location. Any bolt end protruding more than two full threads beyond the face of the nut causes risk of clothing entanglement.

Promptly cut-off flush, file smooth, and treat to prevent corrosion.

Note: Peen Tee-Nuts and Flatwashers to match radius of pipe after assembly is complete.

Note: Loctite (supplied by others) should be used on any non-patch hardware.

SPECIFICATIONS:

5" PLASTIC CAP: The 5" Plastic Cap shall be constructed from injection molded Low Density Polyethylene.

BASE COVER: The Base Cover shall be constructed from aluminum and powder coated.

WELD ASSEMBLIES:

CARDIO ARM ASSEMBLY: Shall be constructed from 2 3/8" O.D. x .134 (10 GAUGE) wall galvanized steel tubing, 1/8" and 3/8" h.r. flat steel and a 4" o.d. machined collar. The assemblies shall be coated with a custom formula of TGIC polyester powder, after fabrication in conformance with the specifications outlined herein.

Issued/Revised: 8/21/17

UP164J CARDIO WALKER (FOOTING) UP164S CARDIO WALKER (IN GROUND) UP164M CARDIO WALKER (SURFACE MOUNT)

MAIN FRAME ASSEMBLY: Main Post assembly shall be manufactured with 5" O.D. x .120 (11 gauge) wall steel tubing, manufactured to ASTM A-500 Grade B tolerances from cold-formed steel conforming to ASTM A-569 Sheet Spec for steel coil. Minimum yield strength shall be 50,000 psi and minimum tensile strength shall be 55,000 psi. The exterior surface is hot dip galvanized, chromate conversion coated, and a clear high performance organic polymer is applied. The inside diameter has 81% minimum zinc rich primer capable of providing excellent rust protection and fabrication characteristics. All coatings are applied inside and out after welding for superior corrosion protection throughout. Exterior surface galvanizing zinc purity is 99% as per ASTM B-6 high grade and special high grade. Galvanizing coverage shall demonstrate the ability to exceed 1000 hours salt spray corrosion exposure in accordance with ASTM B-117. Internal surface zinc rich 81% minimum zinc dust content in organic resin, as per ASTM F-1234, Section 5.2.4, Type D. The main support frame assembly shall be coated with a custom formula of TGIC polyester powder, after fabrication in conformance with the specifications outlined herein.

FOOTBUCK: The upright shall be fabricated of 5" O.D. galvanized pipe and the mounting plate shall be a fabricated 3/8" hot rolled flat steel. Shall be a once piece welded unit.

POWDER COAT FINISH: Shall be an electrostatically applied custom formula of TGIC polyester powder. All components will be free of sharp edges and excess weld spatter and shall be cleaned in a six stage bath system with an iron phosphate wash, as a rust inhibitor, and a sealer to prevent flash rusting before coating. The coating shall have a super tough finish with maximum exterior durability and will have superior adhesion characteristics. Typical Characteristics are: 3.0 - 5.0 mil thickness and oven cured between 375 to 425 degrees Fahrenheit. Pencil Hardness H (ASTM D-3363), Impact (ASTM D-2794-69), Wedge Bend (ASTM D-522-68).

HARDWARE: All nuts, bolts, screws, and lock washers used in the assembly shall be stainless steel, yellow dichromate plated steel, blue-coat plated steel, mechanically galvanized or powder coated/yellow dichromate plated steel. All primary fasteners shall be 304 alloy stainless steel. Fasteners with yellow dichromate treatment have an electro-deposited, 99.9% pure zinc substrate applied from a specially formulated solution sealed with a yellow dichromate top coat designed to work in conjunction with the zinc plating.

NOTE: Do not overtighten bolts. To overtighten may cause buckling or dimpling of some parts.

NOTE: Read installation instructions thoroughly before starting assembly. Pour concrete only after final assembly is completed. Bracing material is required during assembly.

NOTE: Assembly and leveling times will be greatly reduced if a transit is used to set location and depth of ground holes.

INSTALLATION INSTRUCTIONS FOR UP164J (FOOTING):

1. Dig holes or drill holes according to Plan View and Elevation View. **NOTE:** Due to extremes in weather and soil conditions, hole size may have to be increased to meet local conditions.
2. Fill hole with concrete. While the concrete is still soft, yet firm enough to support the Cardio Walker, Place (4) Anchor Bolts of the Cardio Walker in position. See Footing Detail. **NOTE:** Use Cardio Walker as a template for Anchor Bolt location, then remove Cardio Walker.

IMPORTANT: DO NOT MOUNT THE CARDIO WALKER TO THE ANCHOR BOLTS FOR AT LEAST 7 DAYS.

3. After concrete has cured and set for a minimum of 7 Days, attach Cardio Walker to 3/4" Anchor Bolt using 3/4" Flat Washer (2" O.D.), 3/4" Lock Washer, and 3/4" Hex Nut. See Footing Assembly Detail.
4. Attach Cardio Arm Assembly to Main Frame using #12 x 3/4" SS Self Drilling Screw, 1/2" Flatwasher, 3/8" Lockwasher, 3/8" x 1 1/4" Hex Head Bolt and 3 1/2" Dome Cap. See Cardio Arm Assembly Detail.
5. Attach Foothold to Cardio Arm Weld Assembly using Spacer Plate, 3/8" x 3/4" P.B.H.C.S. w/ Patch, 3/8" Lockwasher, and 3/8" Flatwasher. See Foothold Detail.
6. Insert 5" Injection Molded Cap in each upright pipe of Main Frame assembly as shown in Cap Detail.
7. Attach Base Cover to Equipment Post using Base Cover Nut and Base Cover Bolt included with Base Cover. See Base Cover Detail.

Issued/Revised: 8/21/17

UP164J CARDIO WALKER (FOOTING) UP164S CARDIO WALKER (IN GROUND) UP164M CARDIO WALKER (SURFACE MOUNT)

INSTALLATION INSTRUCTIONS FOR UP164S (IN GROUND):

1. Dig holes or drill holes according to Plan View and Elevation View. **NOTE:** Due to extremes in weather and soil conditions, hole size may have to be increased to meet local conditions.
2. Attach Cardio Arm Assembly to Main Frame using #12 x 3/4" SS Self Drilling Screw, 1/2" Flatwasher, 3/8" Lockwasher, 3/8" x 1 1/4" Hex Head Bolt and 3 1/2" Dome Cap. See Cardio Arm Assembly Detail.
3. Attach Foothold to Cardio Arm Weld Assembly using Spacer Plate, 3/8" x 3/4" P.B.H.C.S. w/ Patch, 3/8" Lockwasher, and 3/8" Flatwasher. See Foothold Detail.
4. Insert 5" Injection Molded Cap in each upright pipe of Main Frame assembly as shown in Cap Detail.
5. Attach the Footbuck Weld Assembly to the Cardio Walker using 3/4" Hex Nut, 3/4" Lockwasher, 3/4" Flatwasher (2" O.D.), 3/4" x 2" Hex Head Cap Screw. See In-Ground Assembly Detail.
6. Place Cardio Walker into hole making sure it rests on the brick. See In-Ground Detail.
7. Level Cardio Walker using sway bracing.
8. Pour concrete according to the Plan View and Elevation View. Allow concrete to cure for a minimum of 7 days.
9. Attach Base Cover to Equipment Post using Base Cover Detail.

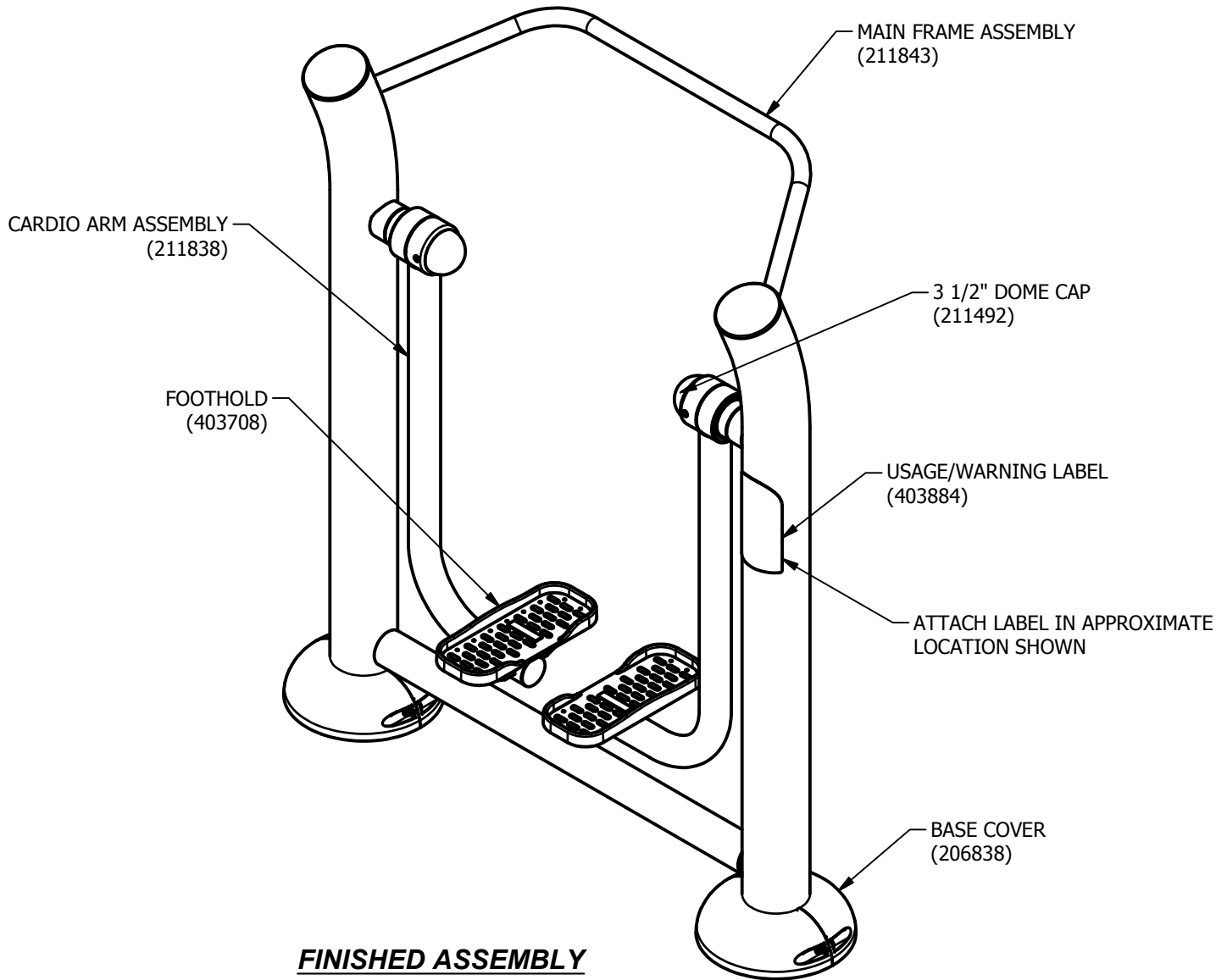
INSTALLATION INSTRUCTIONS FOR UP164M (SURFACE MOUNT):

1. Mark correct location of holes for Wedge Anchor using the Base Plate as a guide.
2. Drill 3/4" x 2 1/2" hole in concrete for Wedge Anchor. See Surface Detail.
3. Insert Wedge Anchors and secure with 3/4" Flatwasher (2" O.D.), 3/4" Lockwasher, and 3/4" Hex Nut. See Surface Assembly Detail.
4. Attach Cardio Arm Assembly to Main Frame using #12 x 3/4" SS Self Drilling Screw, 1/2" Flatwasher, 3/8" Lockwasher, 3/8" x 1 1/4" Hex Head Bolt and 3 1/2" Dome Cap. See Cardio Arm Assembly Detail.
5. Attach Foothold to Cardio Arm Weld Assembly using Spacer Plate, 3/8" x 3/4" P.B.H.C.S. w/ Patch, 3/8" Lockwasher, and 3/8" Flatwasher. See Foothold Detail.
6. Insert 5" Injection Molded Cap in each upright pipe of Main Frame assembly as shown in Cap Detail.
7. Attach Base Cover to Equipment Post using Base Cover Detail.

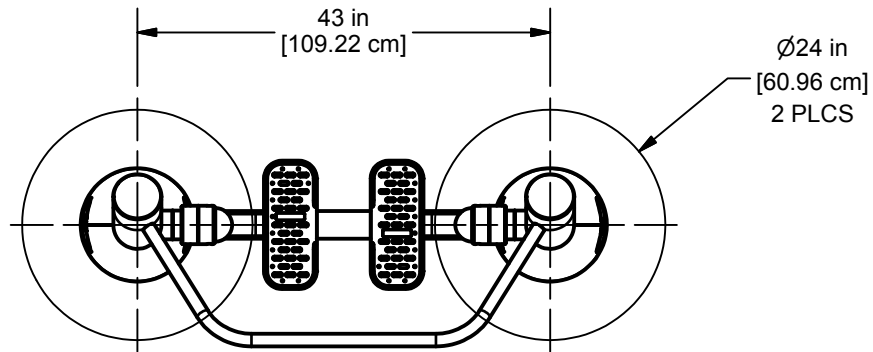
MAINTENANCE PROCEDURE:

Periodically check hardware for tightness, and tighten as necessary. Always check all parts for breakage or wear, and immediately put equipment out of service until any faulty parts found are repaired or replaced. Also Check all metal parts for rust, paint loss and touch-up if necessary with paint. Check for welded areas and verify integrity. Check periodically resilient surfacing for appropriate depth and remove extraneous materials that could cause injury, infection, or disease. Maintain detailed installation, inspection, maintenance, and repair records for each public-use playground equipment.

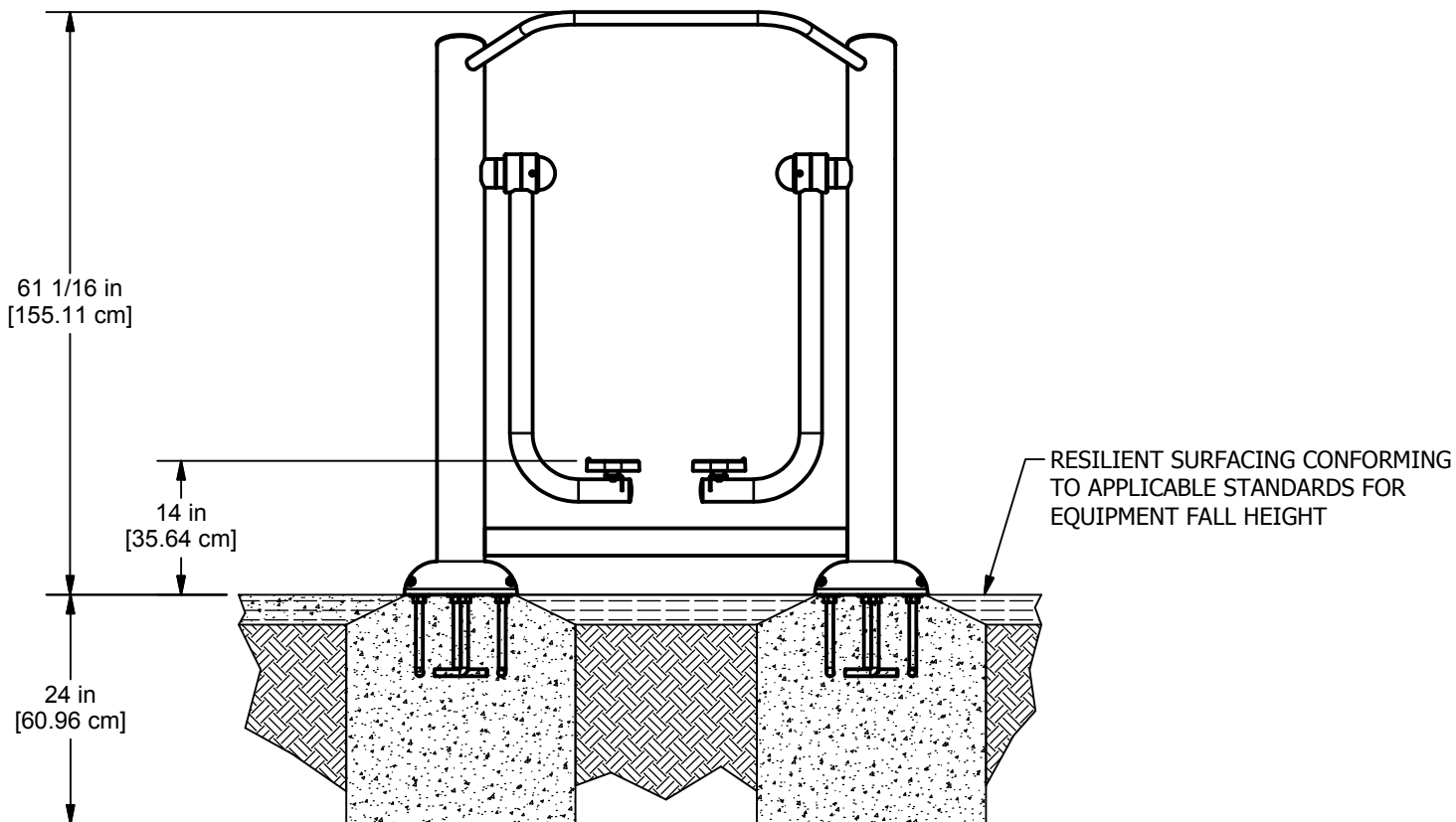
**UP164J CARDIO WALKER (FOOTING)
UP164S CARDIO WALKER (IN GROUND)
UP164M CARDIO WALKER (SURFACE MOUNT)**



*UP164J CARDIO WALKER (FOOTING)
UP164S CARDIO WALKER (IN GROUND)
UP164M CARDIO WALKER (SURFACE MOUNT)*



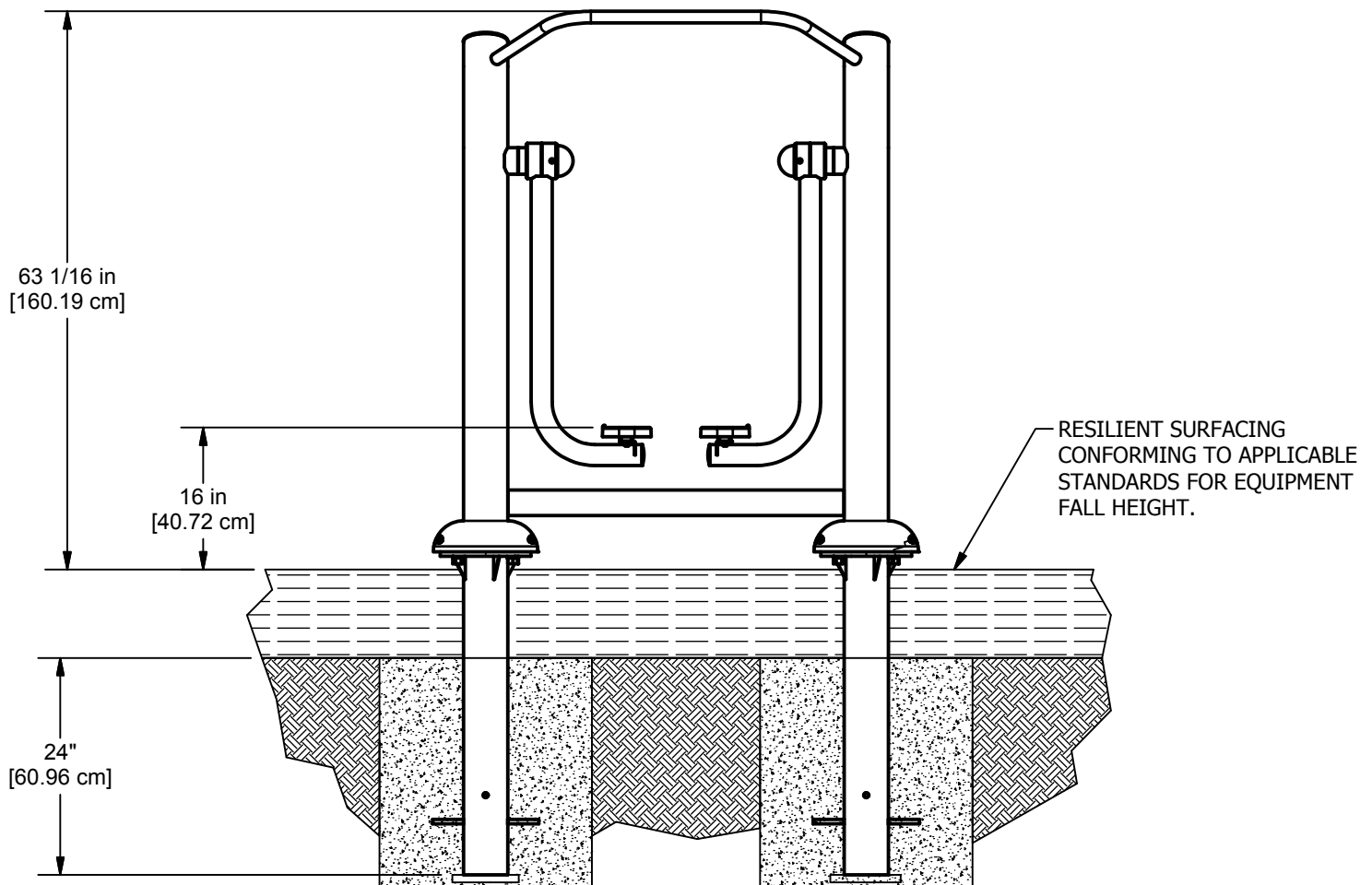
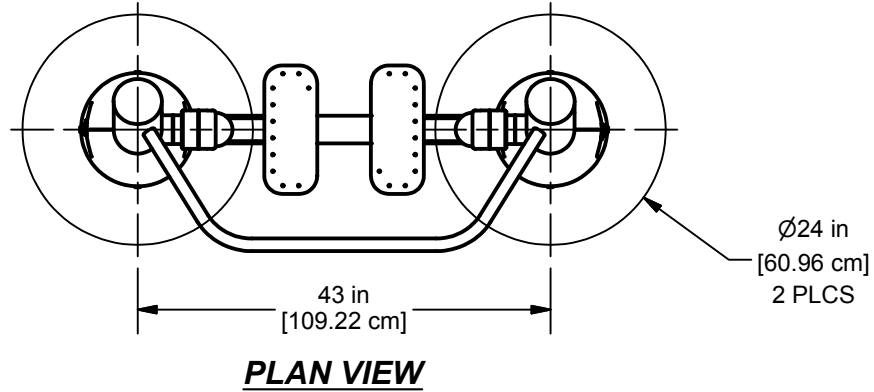
PLAN VIEW



ELEVATION VIEW
UP164J (FOOTING)

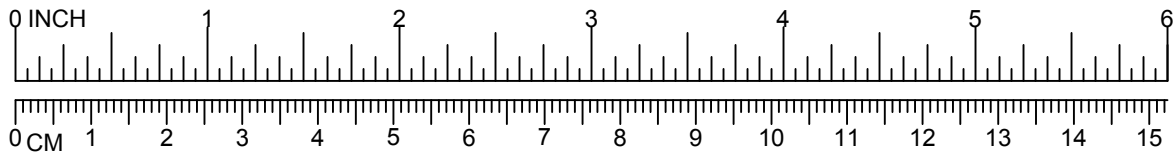
Issued/Revised: 8/21/17

UP164J CARDIO WALKER (FOOTING)
UP164S CARDIO WALKER (IN GROUND)
UP164M CARDIO WALKER (SURFACE MOUNT)

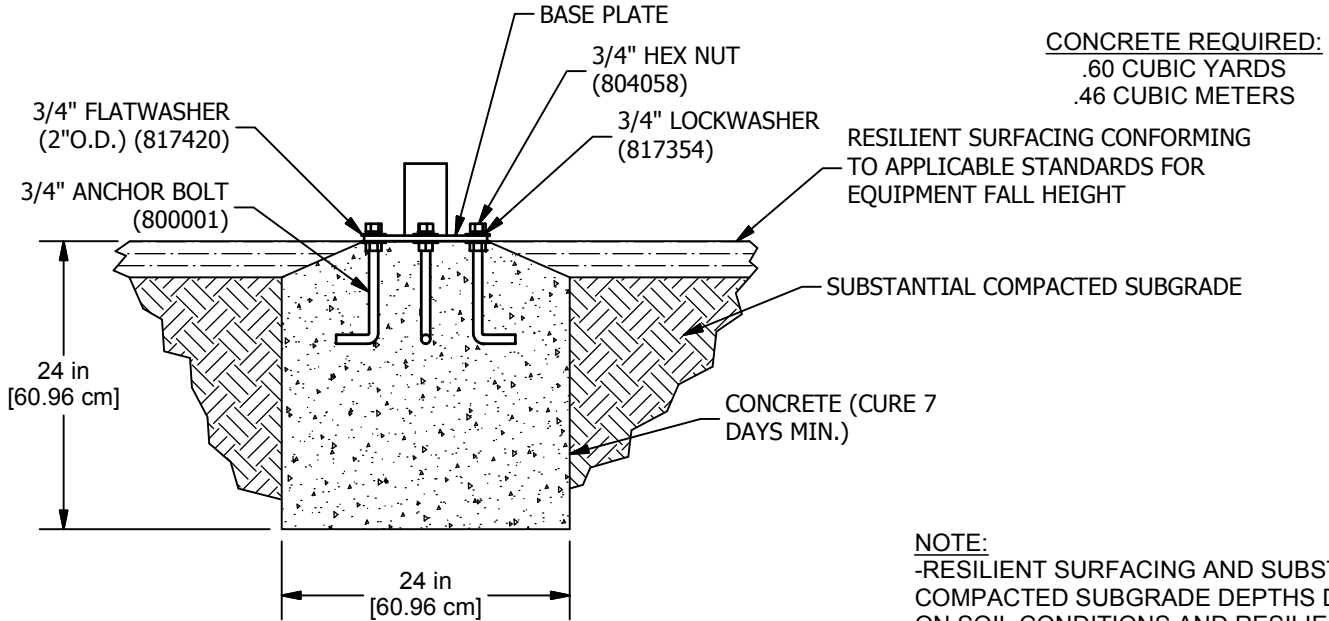


ELEVATION VIEW
UP164S (IN GROUND)

Issued/Revised: 8/21/17

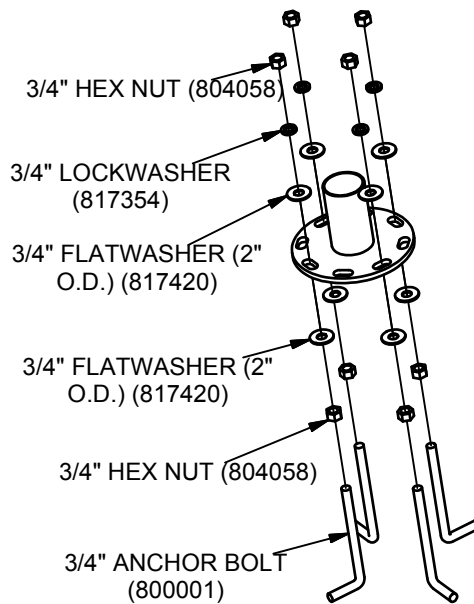


**UP164J CARDIO WALKER (FOOTING)
 UP164S CARDIO WALKER (IN GROUND)
 UP164M CARDIO WALKER (SURFACE MOUNT)**



NOTE:
 -RESILIENT SURFACING AND SUBSTANTIAL COMPACTED SUBGRADE DEPTHS DEPEND ON SOIL CONDITIONS AND RESILIENT SURFACING TYPE.
 -SLOPED FOOTING IS A REQUIREMENT OF EUROPEAN STANDARD EN1176-1 ONLY.
 -SUGGESTED MINIMUM CONCRETE RATING 3000 PSI.

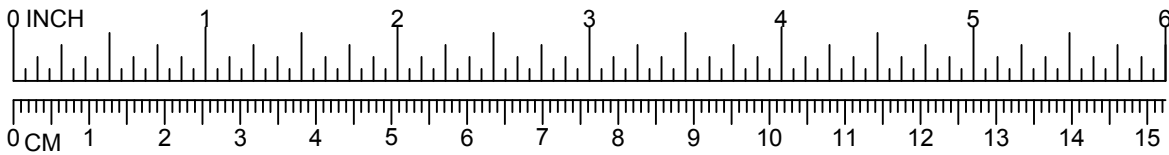
FOOTING DETAIL



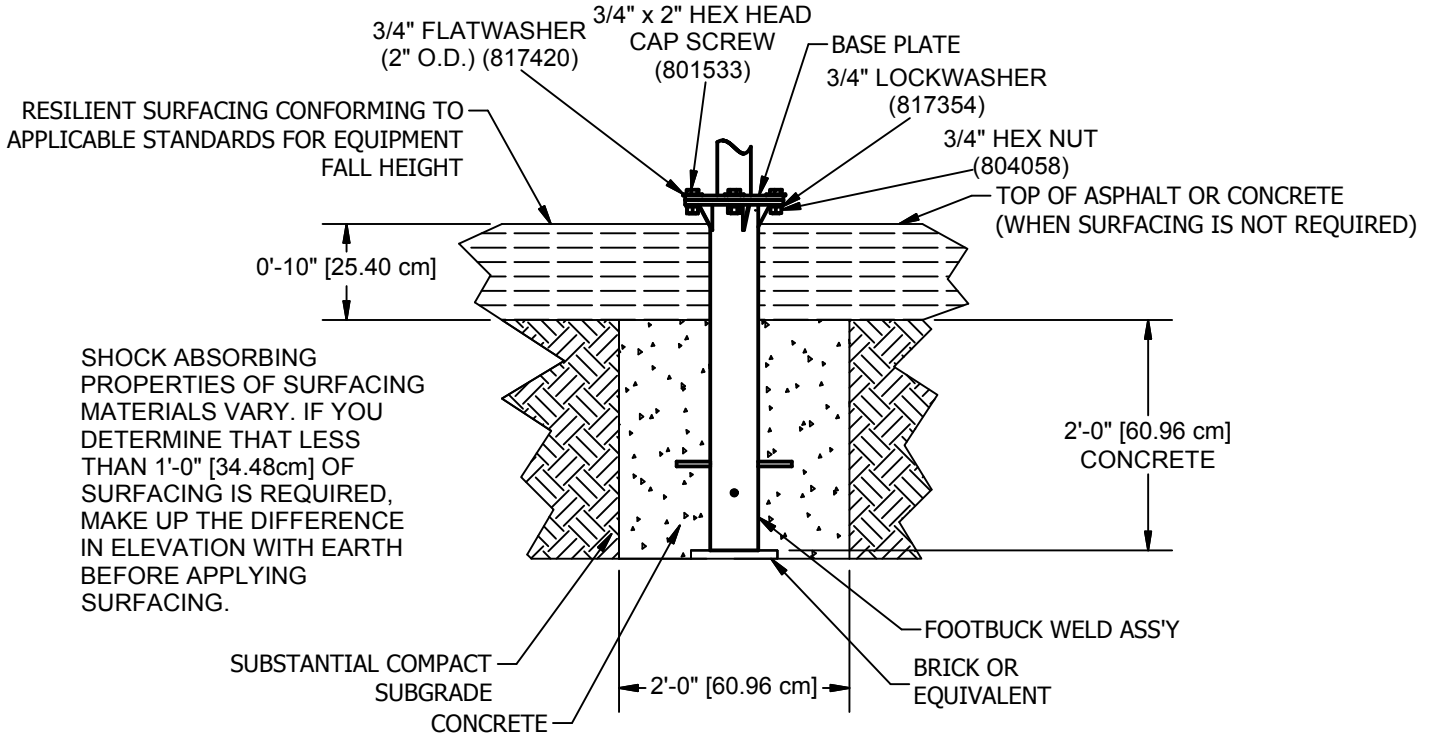
FOOTING ASSEMBLY DETAIL
UP164F (FOOTING)

Issued/Revised: 8/21/17



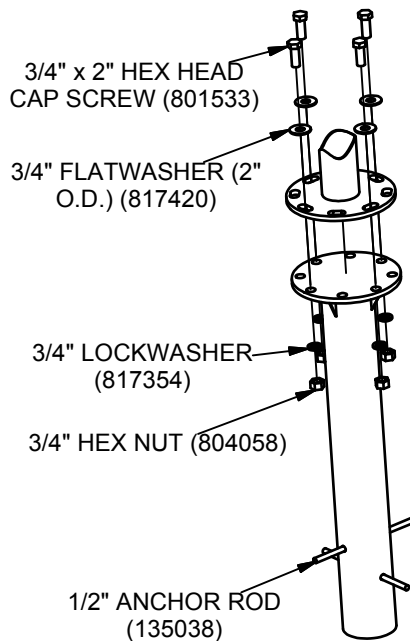


UP164J CARDIO WALKER (FOOTING) UP164S CARDIO WALKER (IN GROUND) UP164M CARDIO WALKER (SURFACE MOUNT)



IN GROUND DETAIL

CONCRETE REQUIRED:
.30 CUBIC YARDS
.23 CUBIC METERS



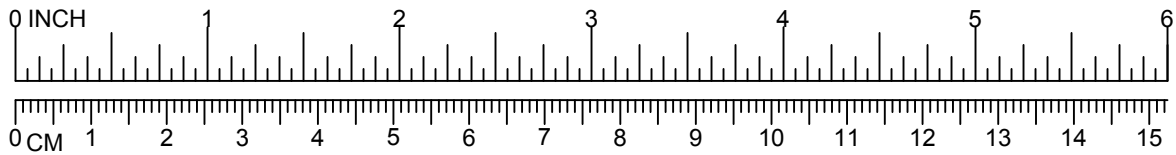
IN GROUND ASSEMBLY DETAIL UP164S (IN GROUND)

NOTE:

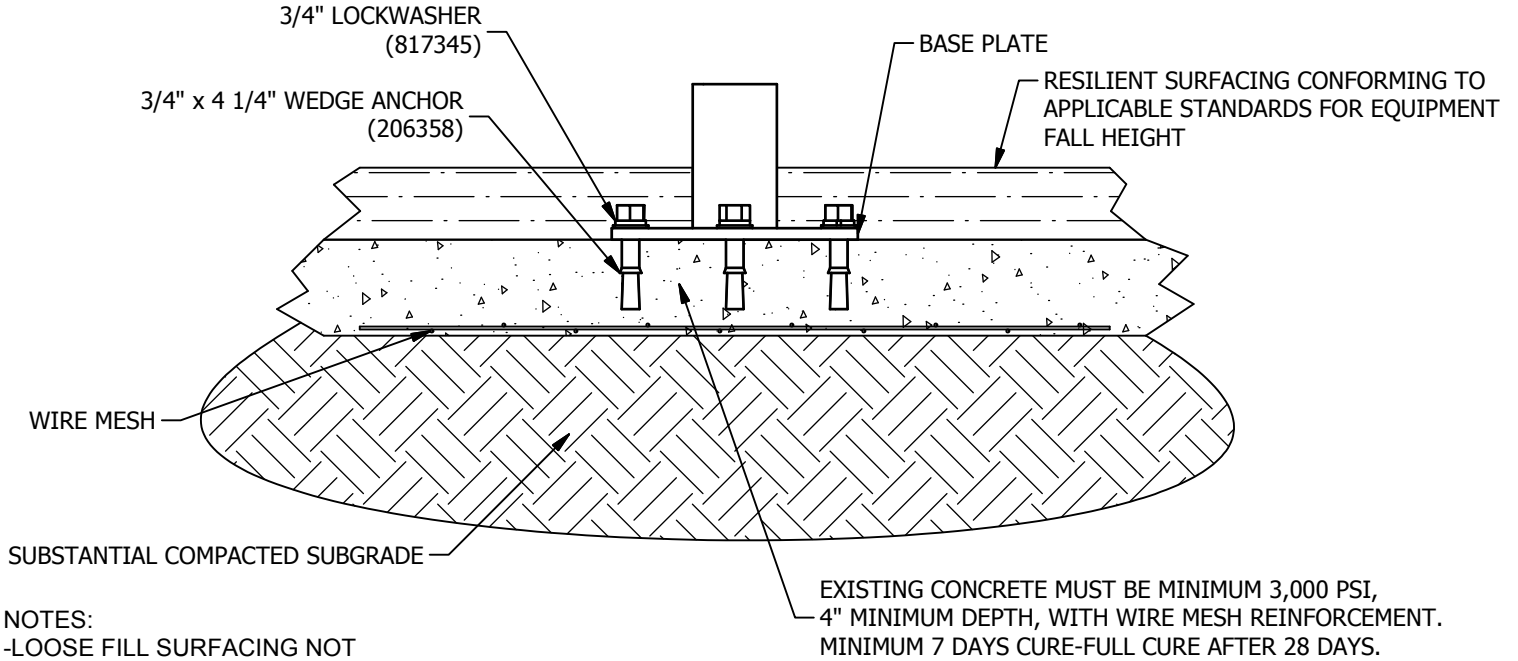
- RESILIENT SURFACING AND SUBSTANTIAL COMPACTED SUBGRADE DEPTHS DEPEND ON SOIL CONDITIONS AND RESILIENT SURFACING TYPE.
- SLOPED FOOTING (45° MIN) IS A REQUIREMENT OF EUROPEAN STANDARD EN1176-1 ONLY.
- SUGGESTED MINIMUM CONCRETE RATING 3000 PSI.

Issued/Revised: 8/21/17





**UP164J CARDIO WALKER (FOOTING)
 UP164S CARDIO WALKER (IN GROUND)
 UP164M CARDIO WALKER (SURFACE MOUNT)**

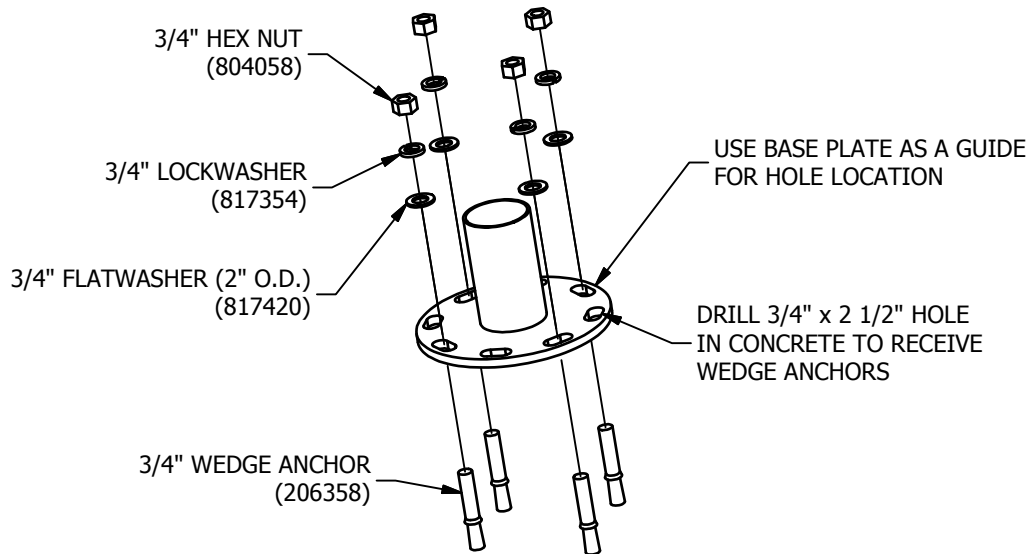


NOTES:
 -LOOSE FILL SURFACING NOT RECOMMENDED FOR SURFACE MOUNT.

-RESILIENT SURFACING AND SUBSTANTIAL COMPACTED SUBGRADE DEPTHS DEPEND ON SOIL CONDITIONS AND RESILIENT SURFACING TYPE.

EXISTING CONCRETE MUST BE MINIMUM 3,000 PSI, 4\"/>

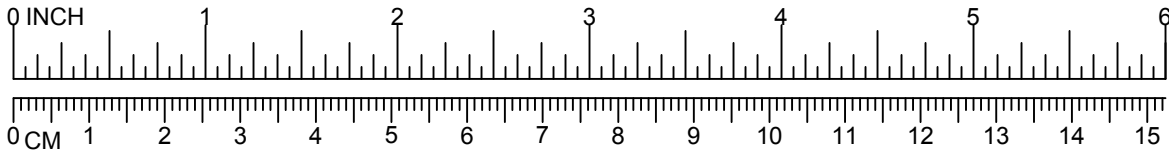
SURFACE DETAIL



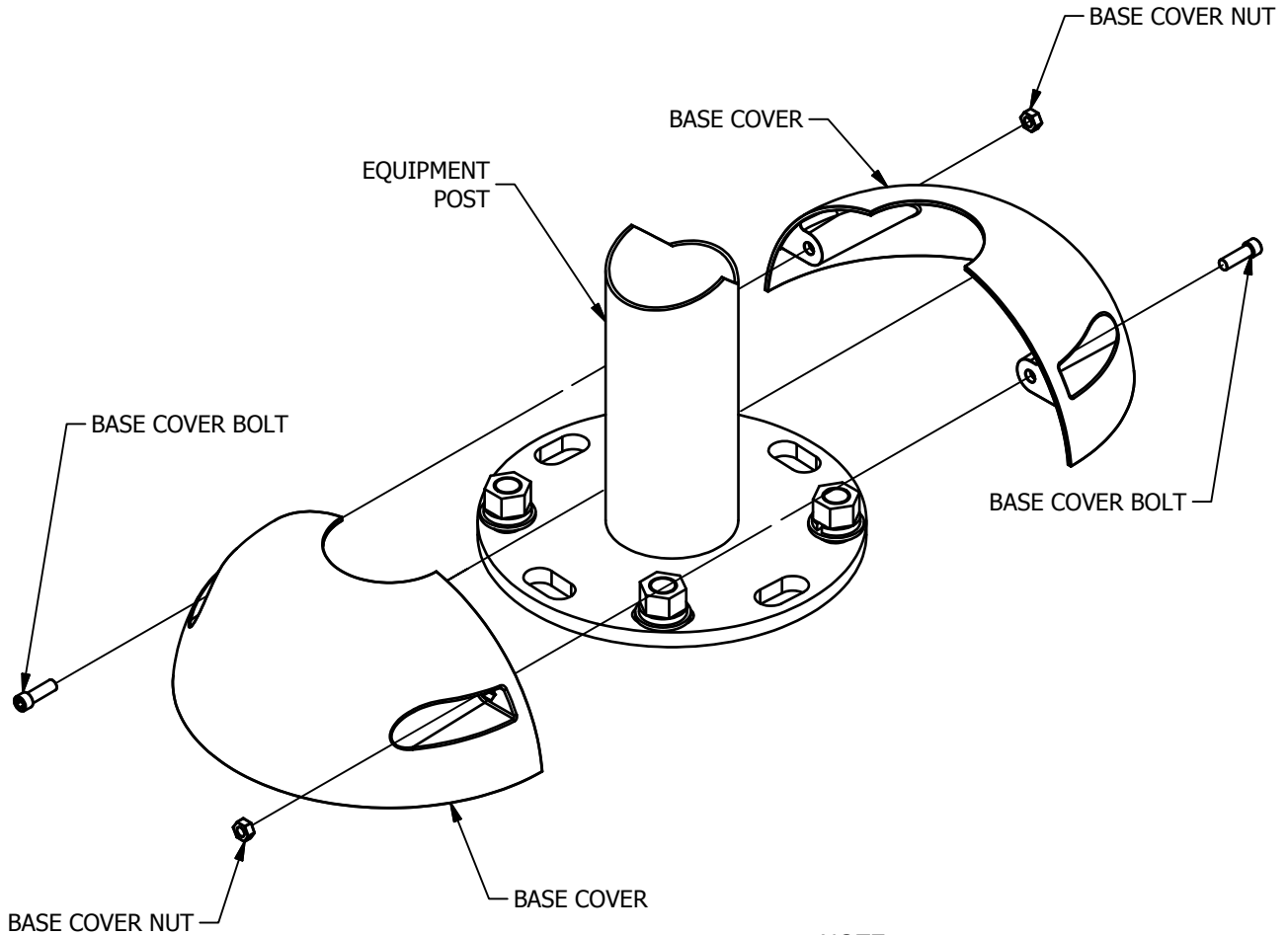
**SURFACE ASSEMBLY DETAIL
 UP164M (SURFACE MOUNT)**

Issued/Revised: 8/21/17



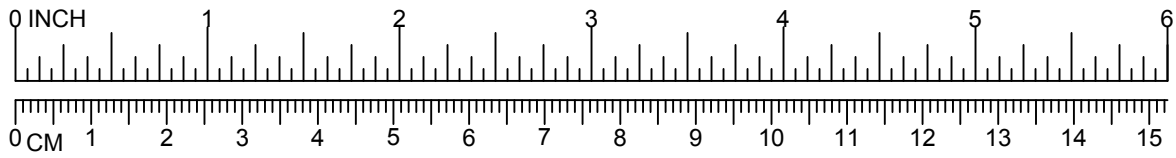


**UP164J CARDIO WALKER (FOOTING)
UP164S CARDIO WALKER (IN GROUND)
UP164M CARDIO WALKER (SURFACE MOUNT)**

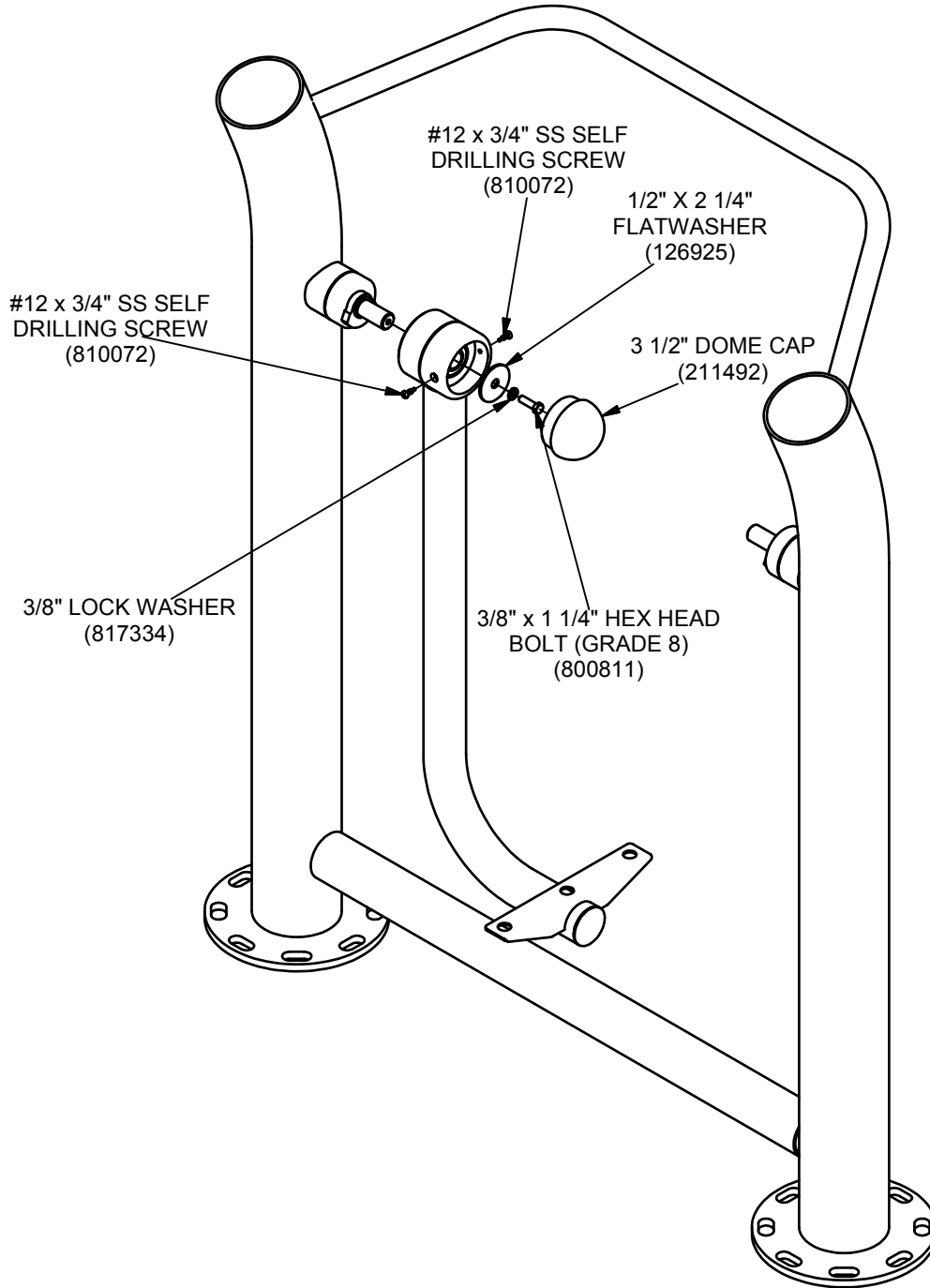


NOTE:
BASE COVER BOLT AND
BASE COVER NUT ARE INCLUDED
WITH BASE COVER.

BASE COVER DETAIL



**UP164J CARDIO WALKER (FOOTING)
UP164S CARDIO WALKER (IN GROUND)
UP164M CARDIO WALKER (SURFACE MOUNT)**



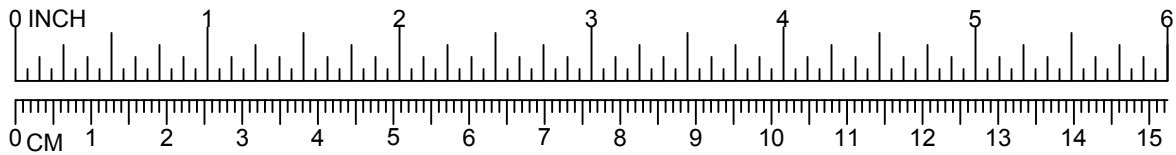
CARDIO ARM ASS'Y DETAIL

Issued/Revised: 8/21/17

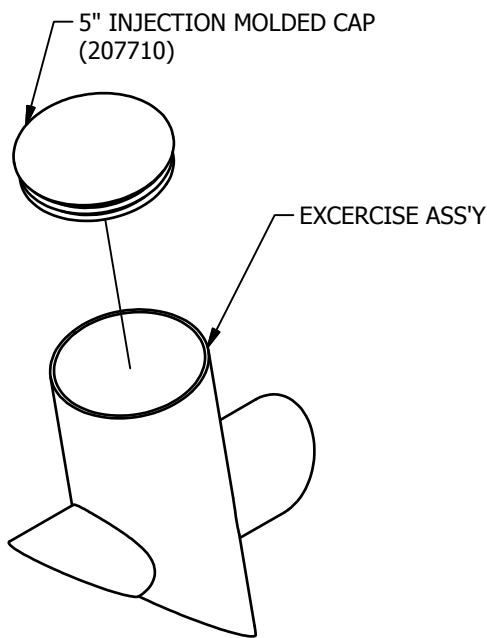


800.458.5872

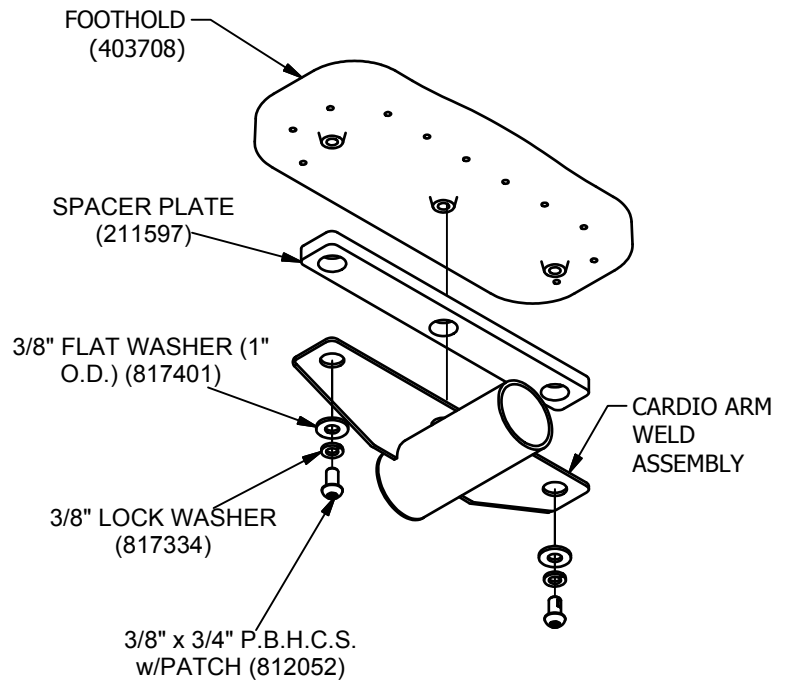
www.ultraplay.com



UP164J CARDIO WALKER (FOOTING)
UP164S CARDIO WALKER (IN GROUND)
UP164M CARDIO WALKER (SURFACE MOUNT)



CAP DETAIL



FOOTHOLD DETAIL