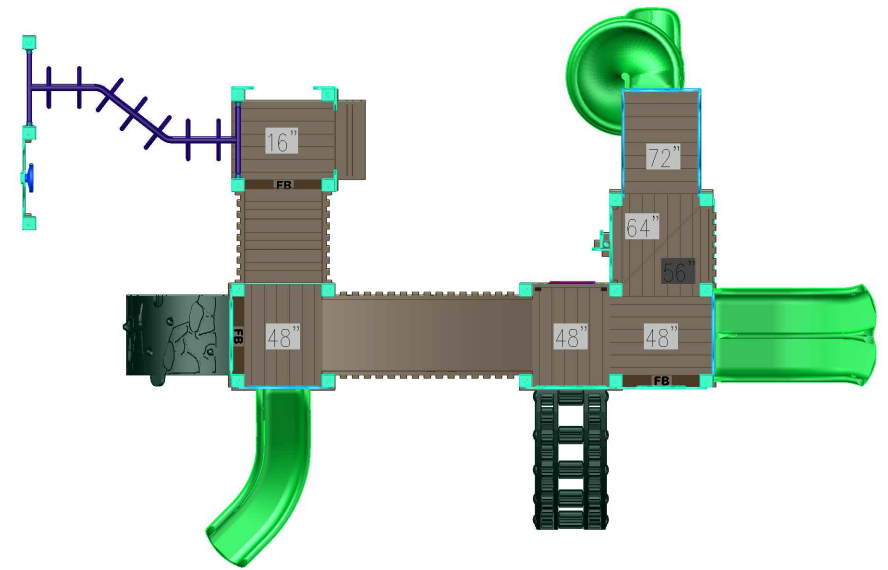
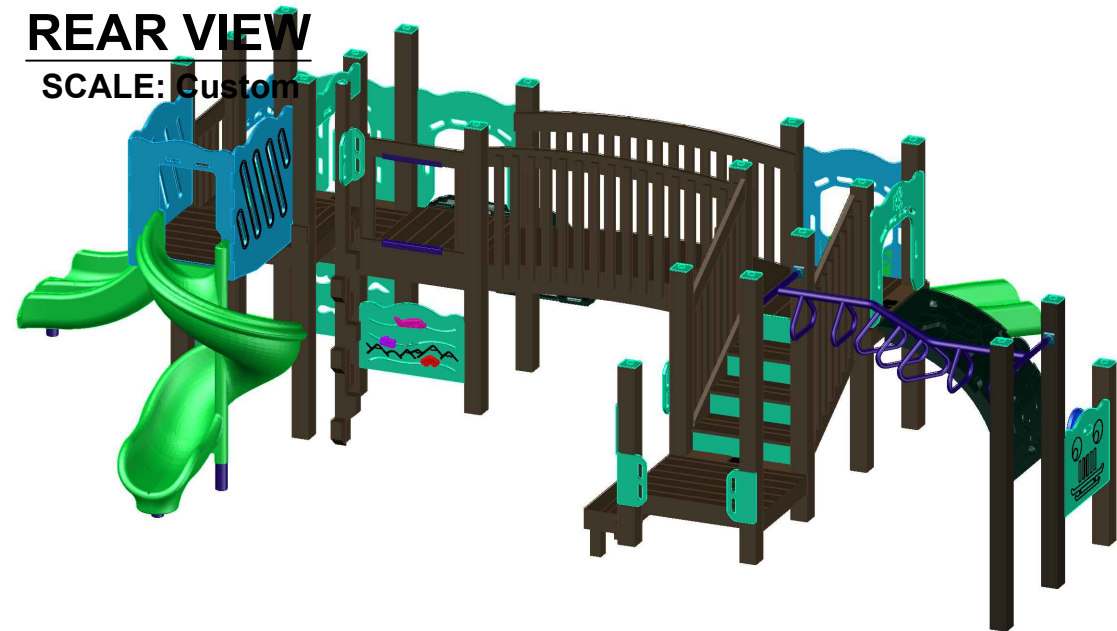


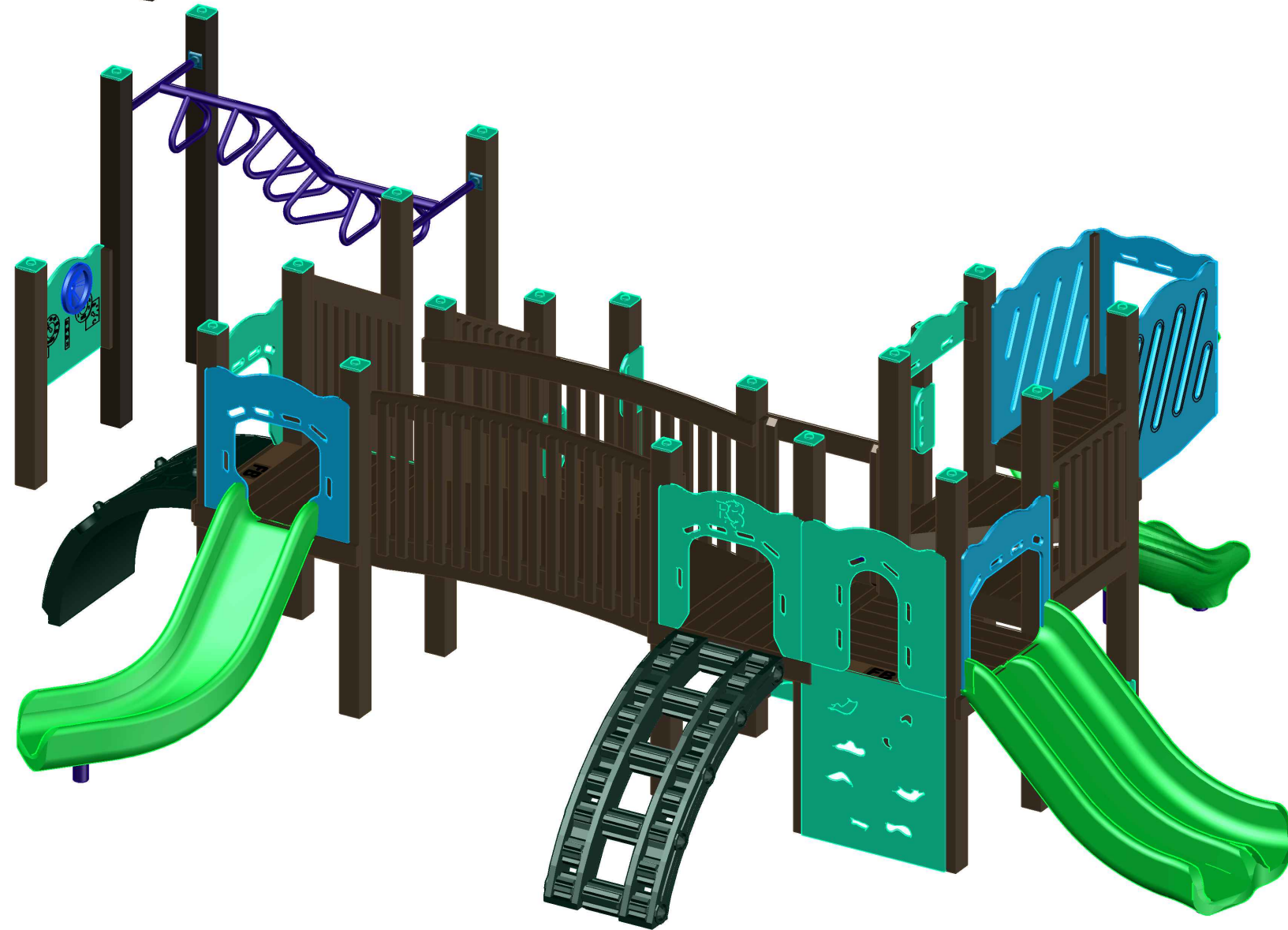
REAR VIEW

SCALE: Custom



TOP VIEW

SCALE: Custom



FRONT VIEW

SCALE: Custom

PLAYGROUND SUPERVISION IS REQUIRED.

THIS DESIGN IS THE PROPERTY OF SUPERIOR RECREATIONAL PRODUCTS AND MAY NOT BE REPRODUCED OR USED IN ANY MANNER WITHOUT THE EXPRESSED WRITTEN CONSENT OF SUPERIOR RECREATIONAL PRODUCTS.

REFERENCE NUMBER
PROR3-0022-1

DATE
7-5-22

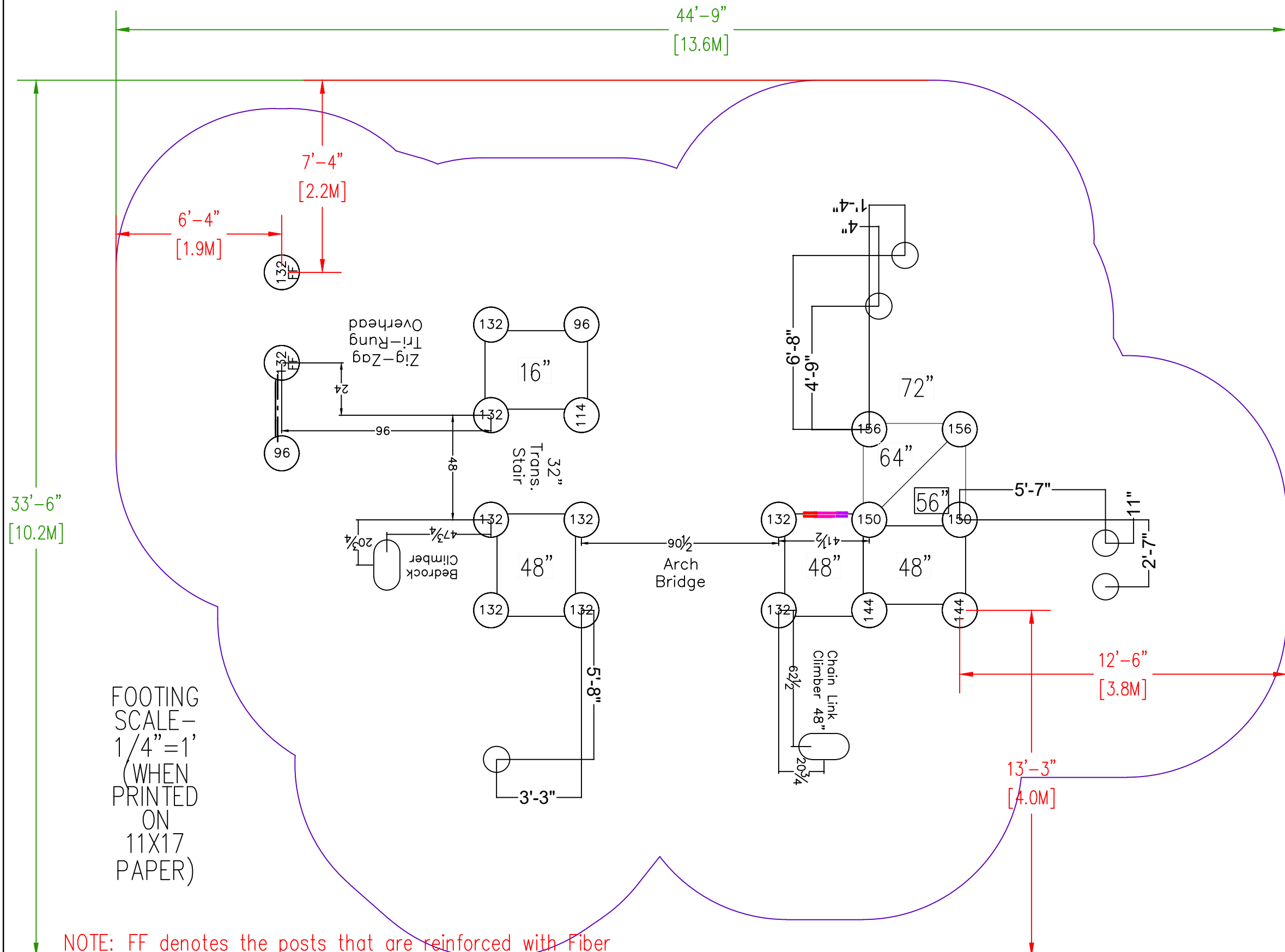
DRAWN/SAVED BY
WILLOW BRANSCUM / WILLOW.BRANSCUM

SCALE

SHEET
3.00000 OF 2

PAGE
VIEW





FOOTING
SCALE—
1/4"=1'
(WHEN
PRINTED
ON
11X17
PAPER)

NOTE: FF denotes the posts that are reinforced with Fiber Filament for extra support.

PLAYGROUND SUPERVISION IS REQUIRED.

THIS DESIGN IS THE PROPERTY OF SUPERIOR RECREATIONAL PRODUCTS AND MAY NOT BE REPRODUCED OR USED IN ANY MANNER WITHOUT THE EXPRESSED WRITTEN CONSENT OF SUPERIOR RECREATIONAL PRODUCTS.

REFERENCE NUMBER
PROR3-0022-1

DATE
7-5-22

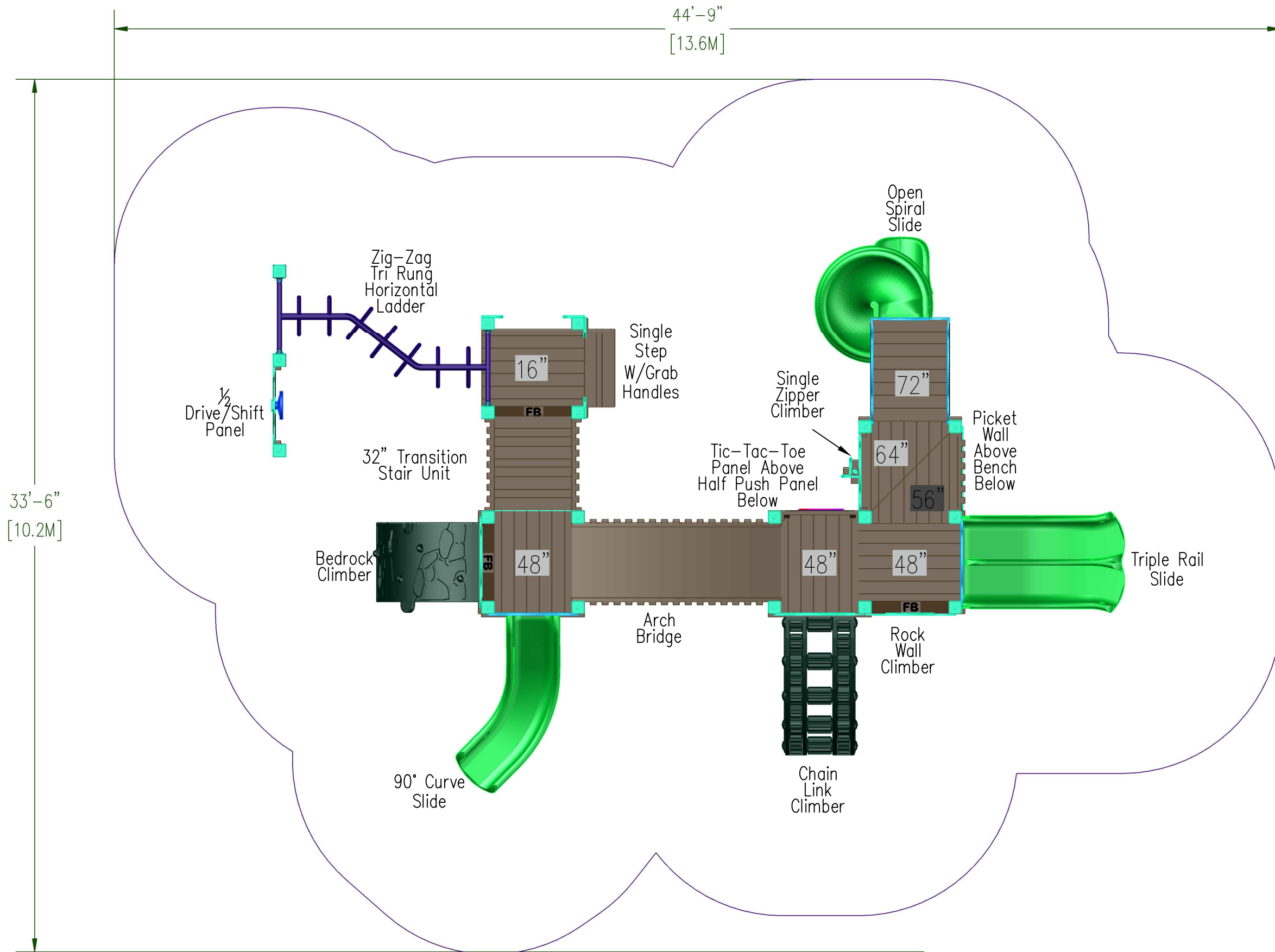
DRAWN/SAVED BY
WILLOW BRANSCUM / WILLOW.BRANSCUM

SCALE

SHEET
OF 2

PAGE
TER





33'-6"
[10.2M]

44'-9"
[13.6M]

REFERENCE NUMBER
PROR3-0022-1

EQUIPMENT SIZE
33 X 22

USE ZONE
45 X 34

AGE GROUP
5-12

SURFACE AREA
1135

USER CAPACITY
39

4' TIMBER COUNT
37

FALL HEIGHT
6'

ADA ACCESSIBILITY

ELEVATED
PLAY ACTIVITIES
3

	ACCESSIBLE PLAY ACTIVITIES	ACCESSIBLE PLAY ACTIVITY TYPES
PROVIDED	3	3
REQUIRED	3	3

THIS STRUCTURE MEETS OR EXCEEDS CPSC #325
AND ASTM F1487-11 UNLESS OTHERWISE NOTE.

DATE
7-5-22

SCALE

DRAWN/SAVED BY
WILLOW BRANSCUM
/ WILLOW.BRANSCUM

SHEET

OF 2

PAGE

N-VIEW

WE RECOMMEND THIS PLAN BE PRINTED ON 11" x 17" PAPER

PLAYGROUND SUPERVISION IS REQUIRED.

THIS DESIGN IS THE PROPERTY OF
SUPERIOR RECREATIONAL PRODUCTS AND MAY NOT BE
REPRODUCED OR USED IN ANY MANNER WITHOUT
THE EXPRESSED WRITTEN CONSENT OF
SUPERIOR RECREATIONAL PRODUCTS.

